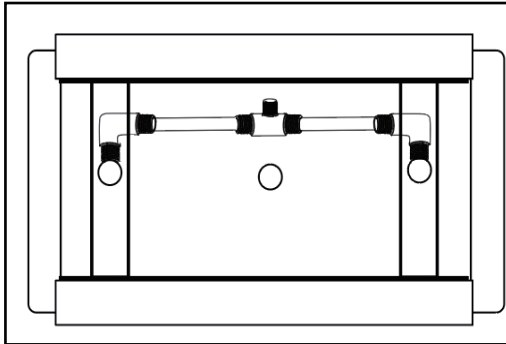


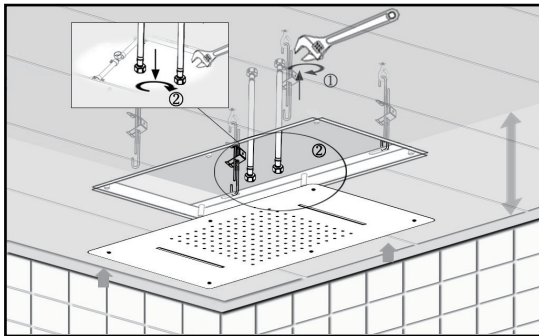
# PRODUCT MANUAL



**Chart8**

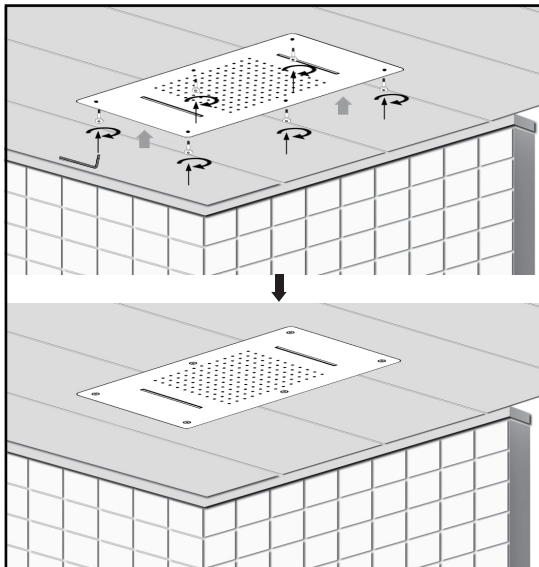
Connect two waterfall as left chart.

Tip:If two waterfall works seperately,no need this step, but one more 1M braided hose will be needed.



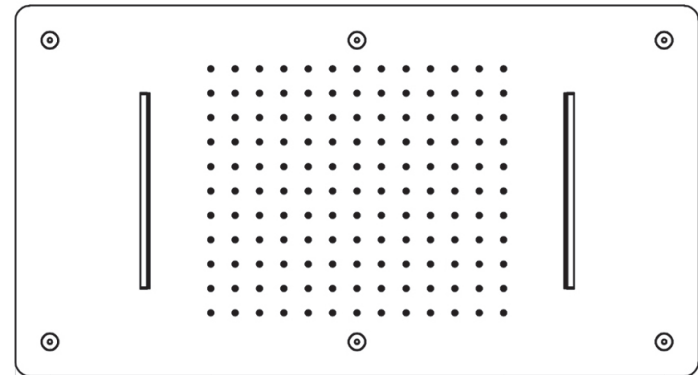
**Chart9**

Accurate connect the pipelines with the connectors on the back side of top shower.

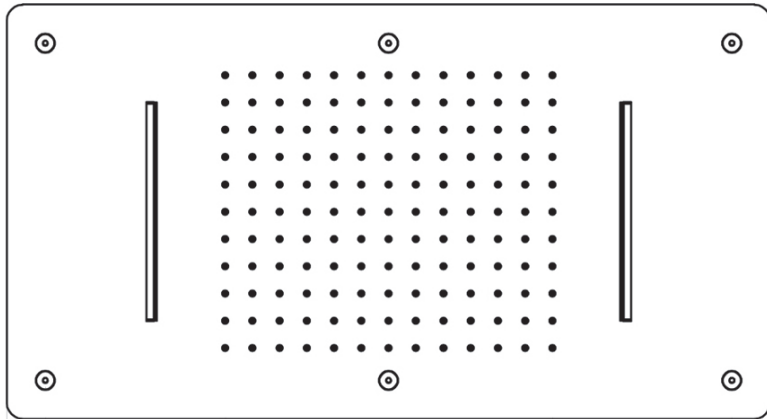


**Chart10**

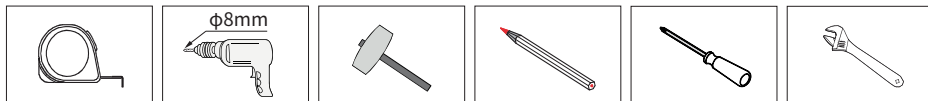
Fix the top shower and the installation frame with long screws (part C) provided.



# 01 / PRODUCT

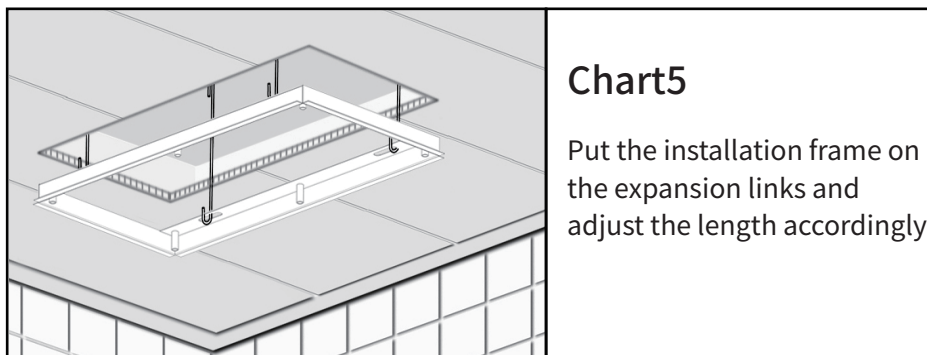
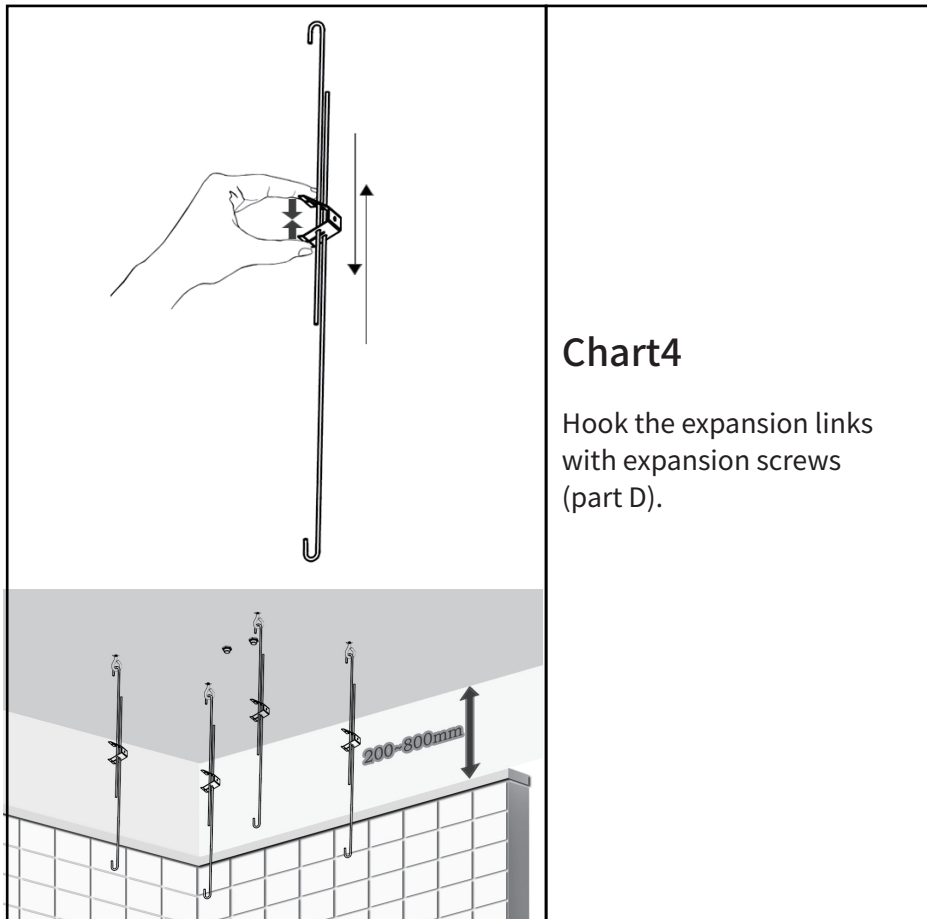


# 02 / TOOLS NOT INCLUDED

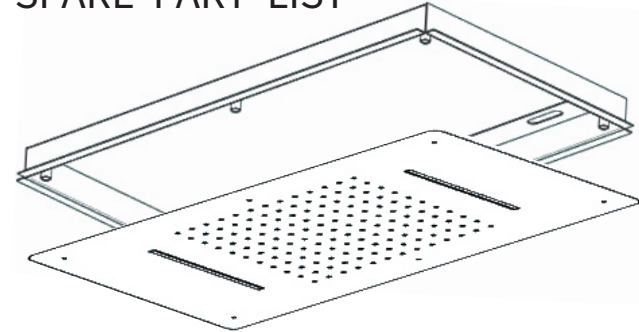


	<h3>Chart6</h3> <p>Screw around the installation frame. Make sure the frame is at the same line with the ceiling.</p>
--	---

<p>①  →  ↓</p> <p>② </p> <p>↓</p> <p>③  → </p>	<h3>Chart7</h3> <p>Flush the water supply lines thoroughly to drain debris and impurities. Shut off the water before installation.</p>
--	--

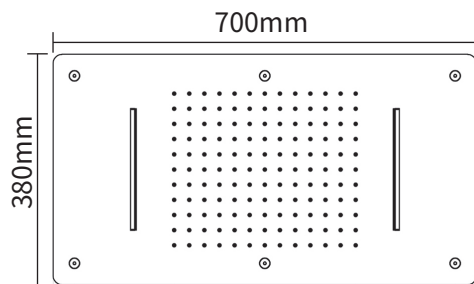


## 03/ SPARE PART LIST

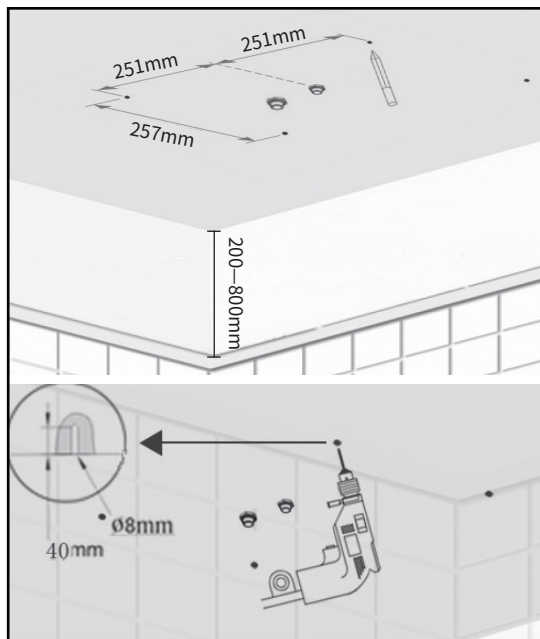


A(1PC)		E (4PC) 250mm 1000mm	F (4PC)
B(1PC)			
C(6PC)			
D(4PC)			
G(4PC)		H(4PC)	
I(1PC)		J(4PC)	
K(3PC)			

## 04/ DIMENSIONS

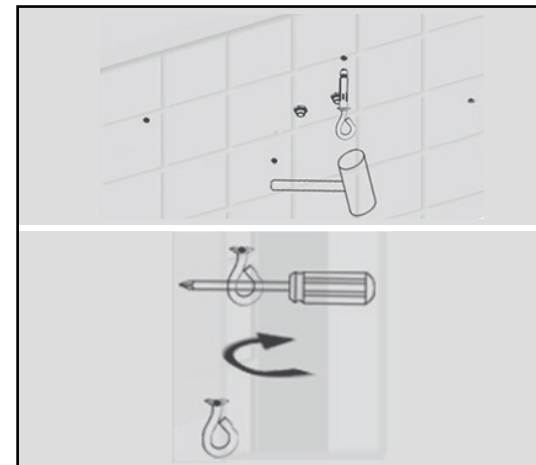


## 05/ INSTALLATION



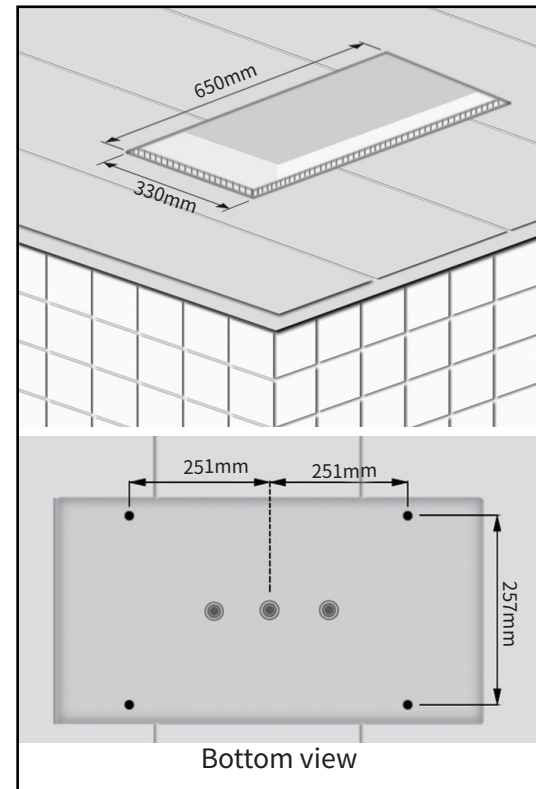
**Chart1**

Embed the water pipelines accordingly in the ceiling. Draw and drill four  $\phi 8\text{mm}$  holes in the ceiling with distance of 200—800mm from the ceiling surface.



**Chart2**

Insert the metal expansion screw (part D) and turn clockwise.



**Chart3**

Create a slot on the ceiling with size of 650X330mm. (Please double check the size with real product.)