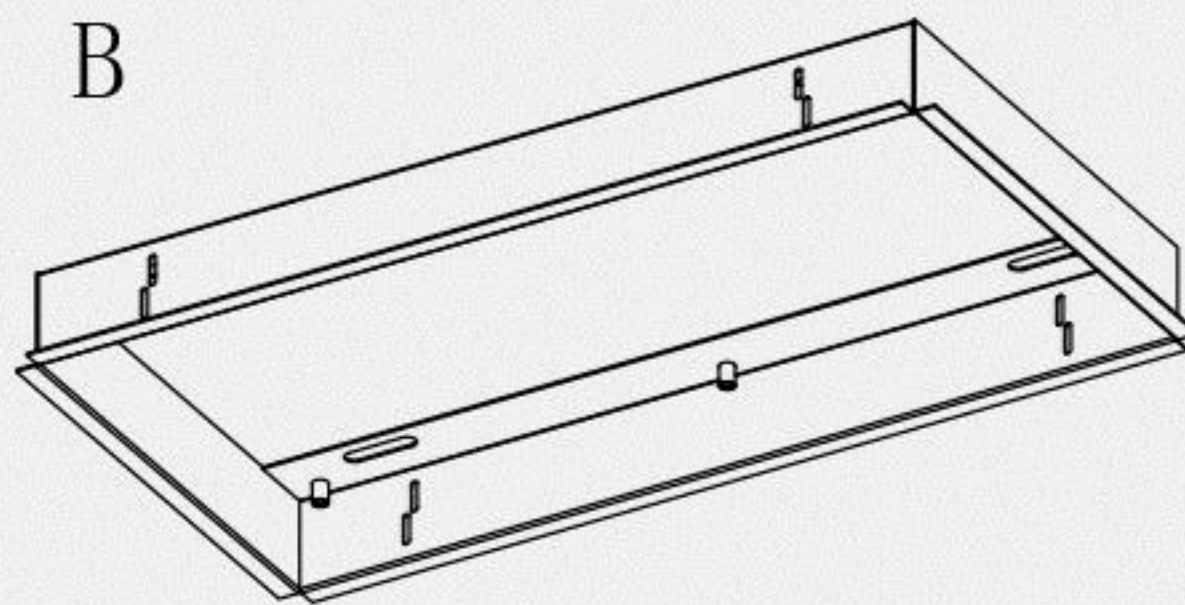
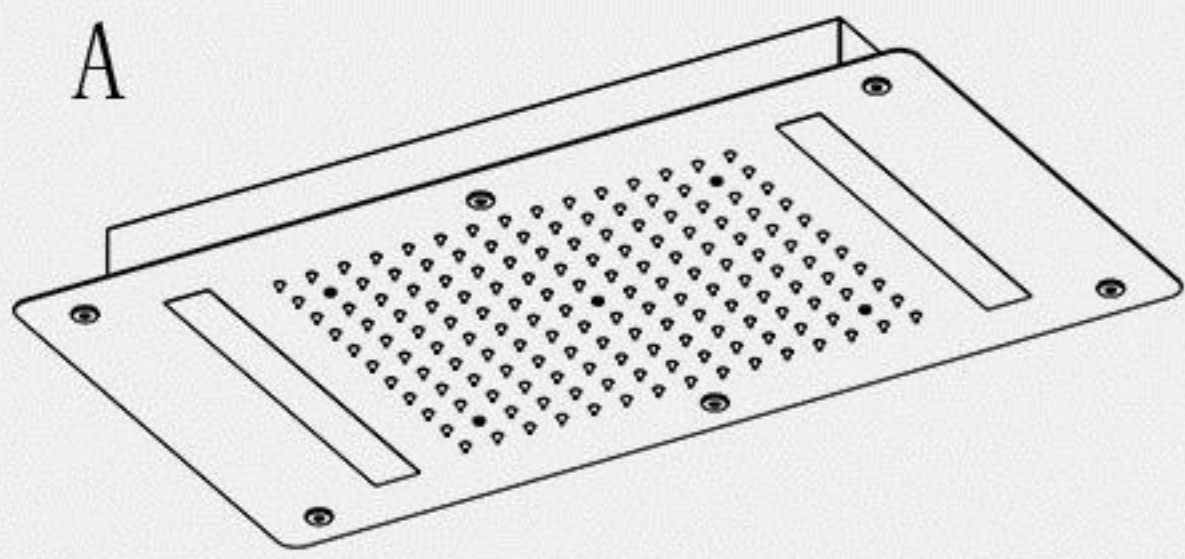
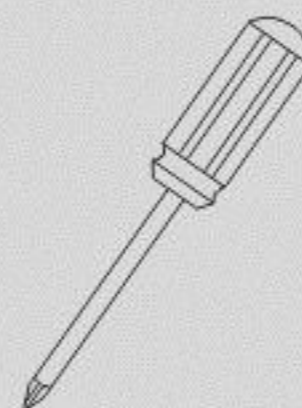
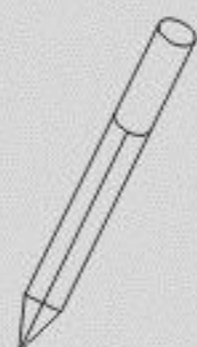
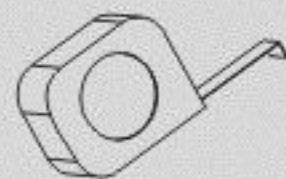
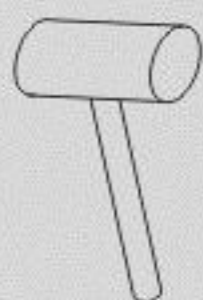
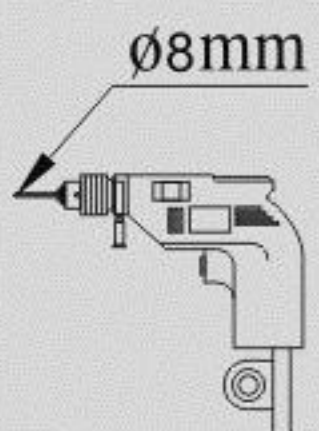
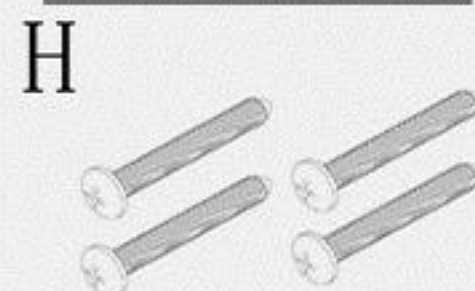
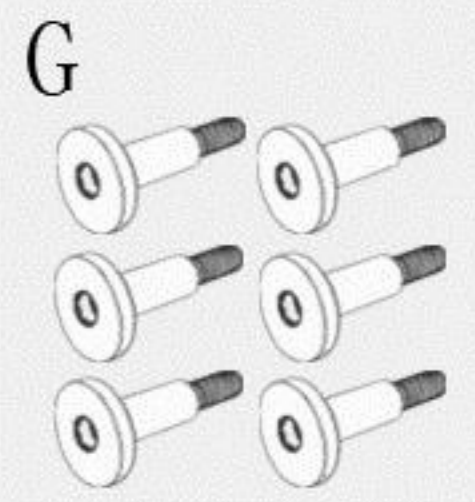
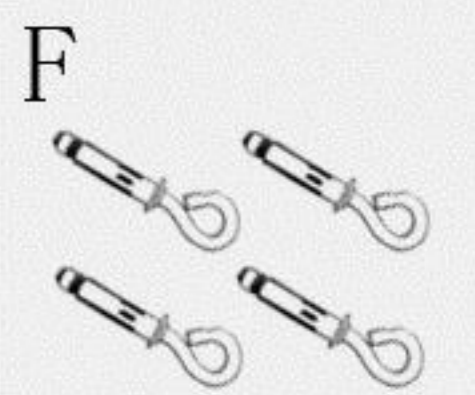
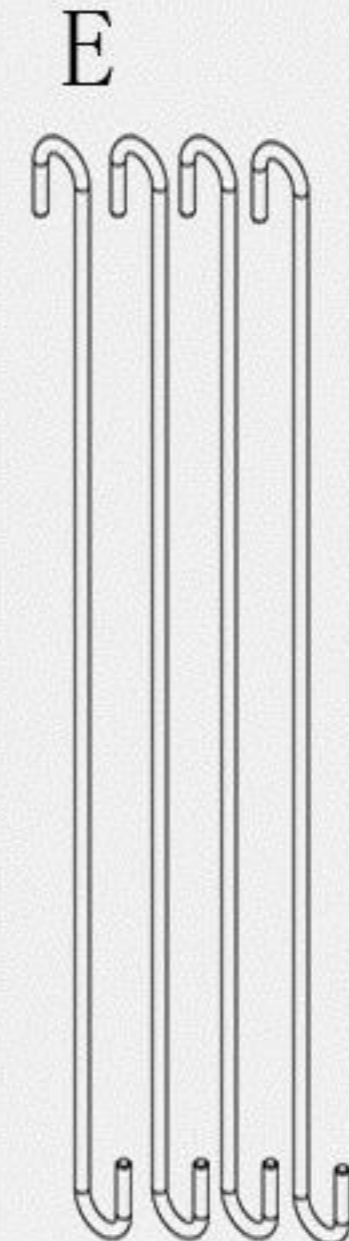
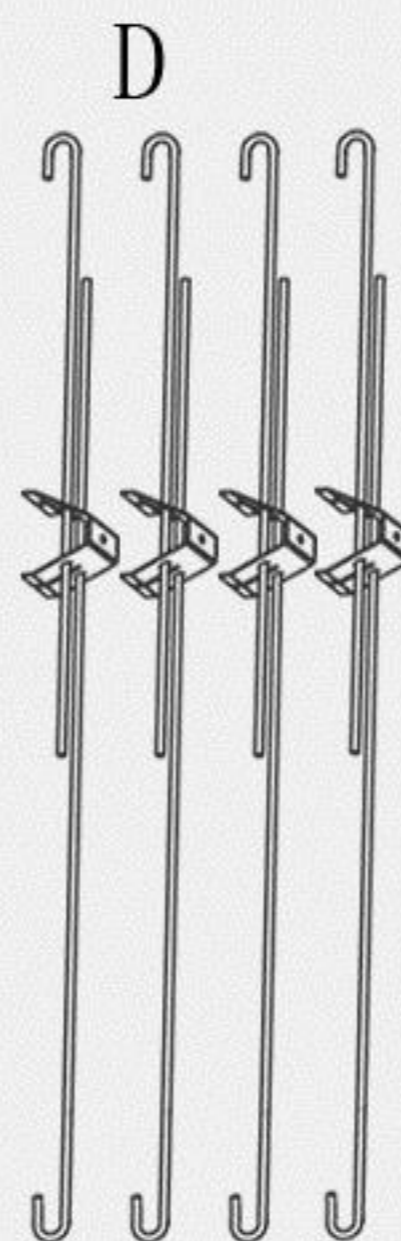


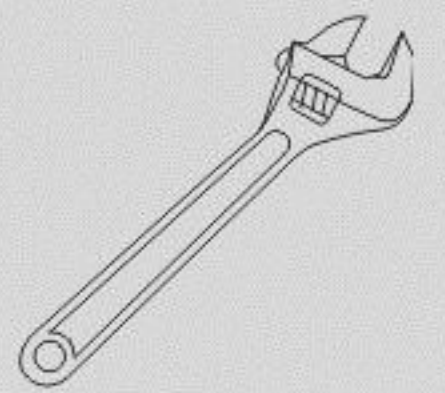
# DPG5018



1000mm



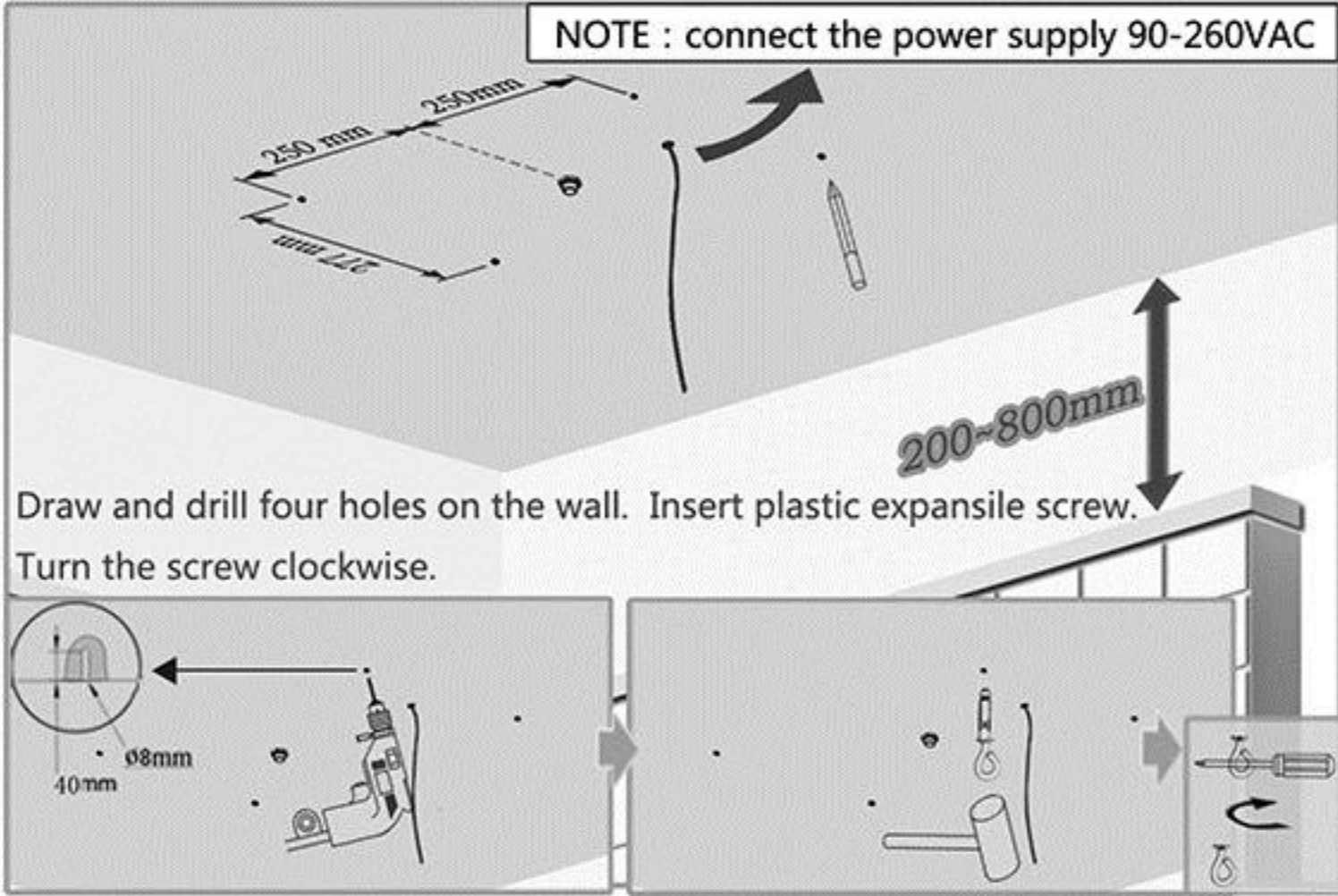
5mm



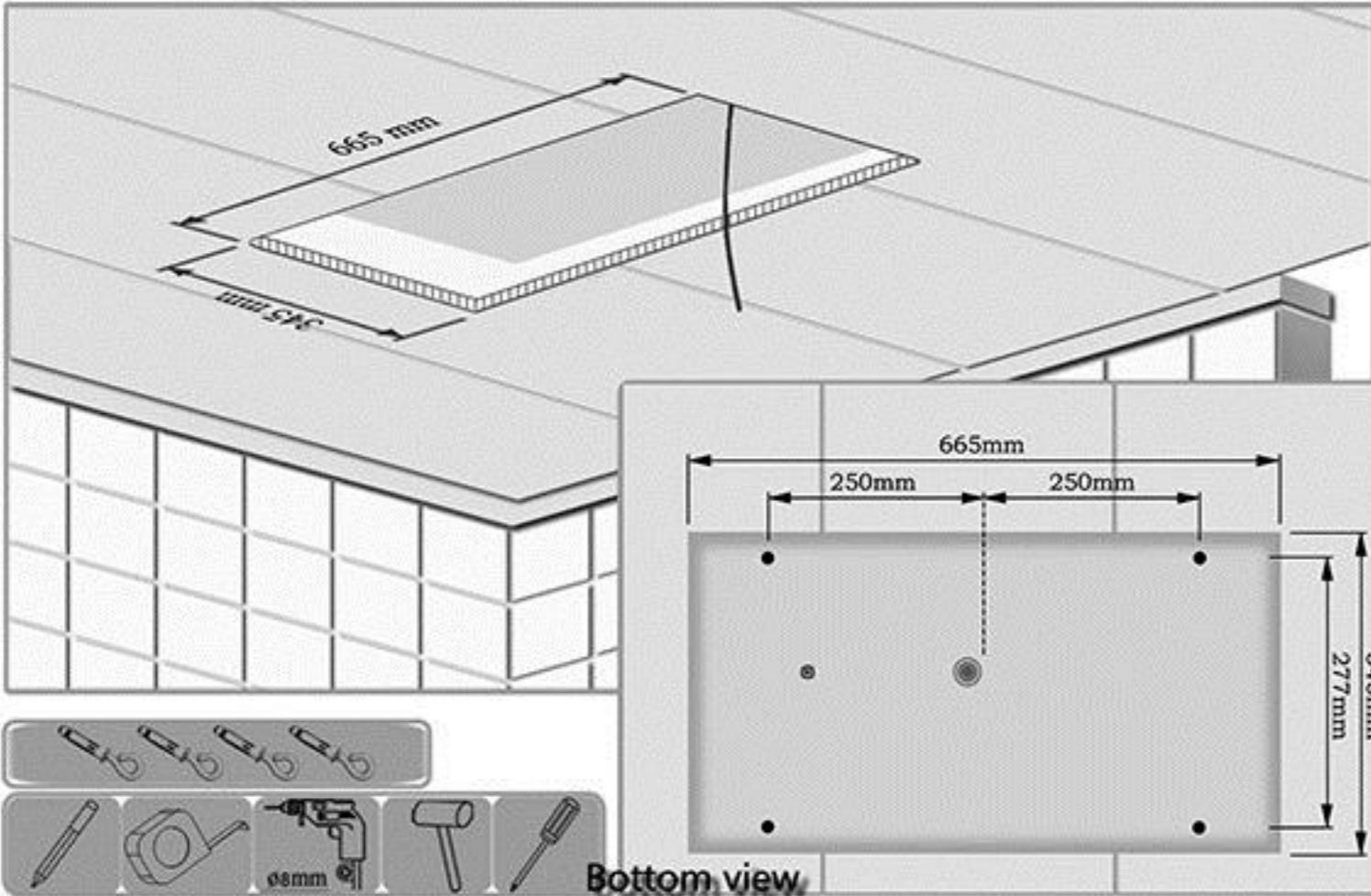


1

NOTE : connect the power supply 90-260VAC

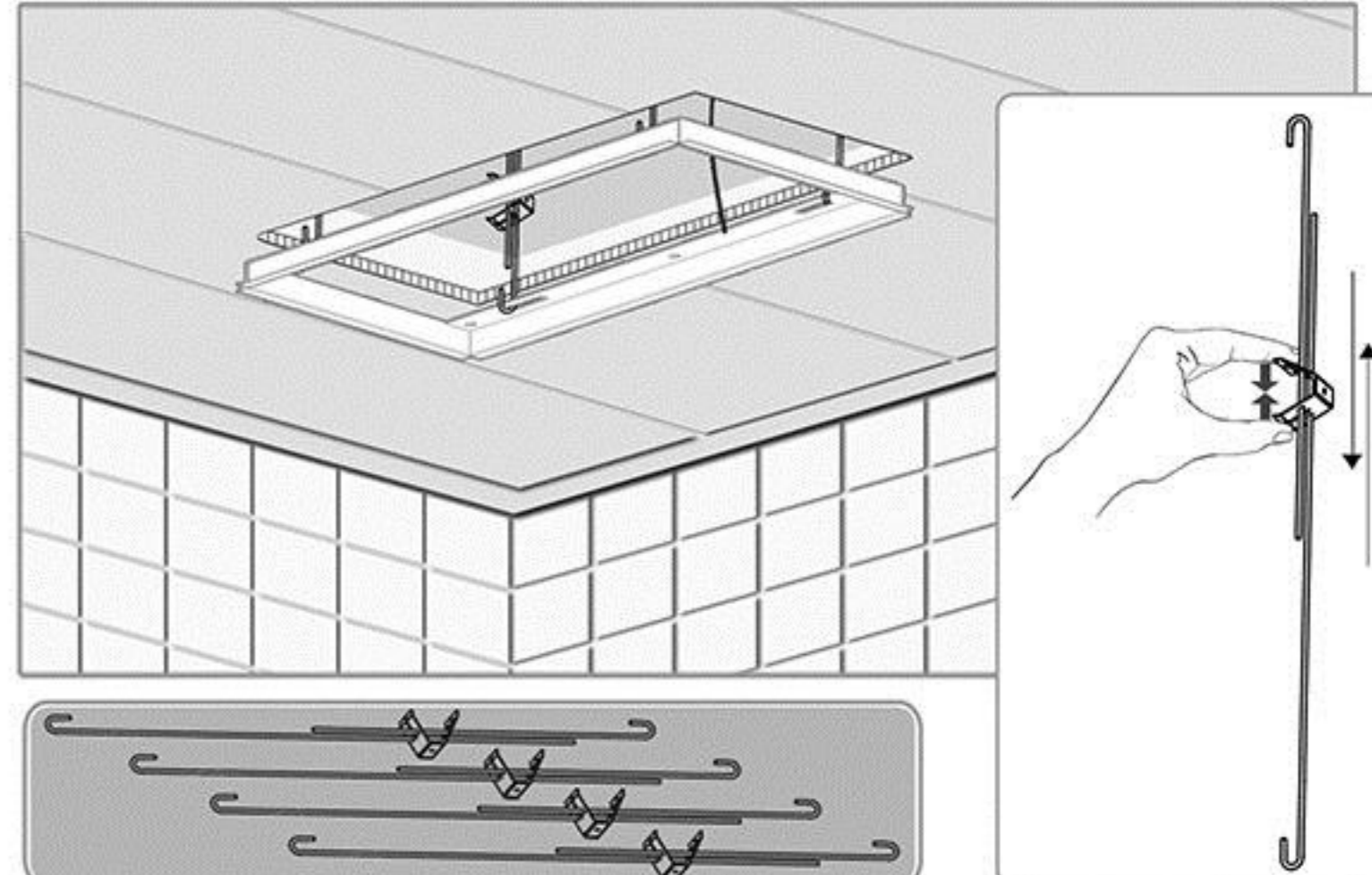
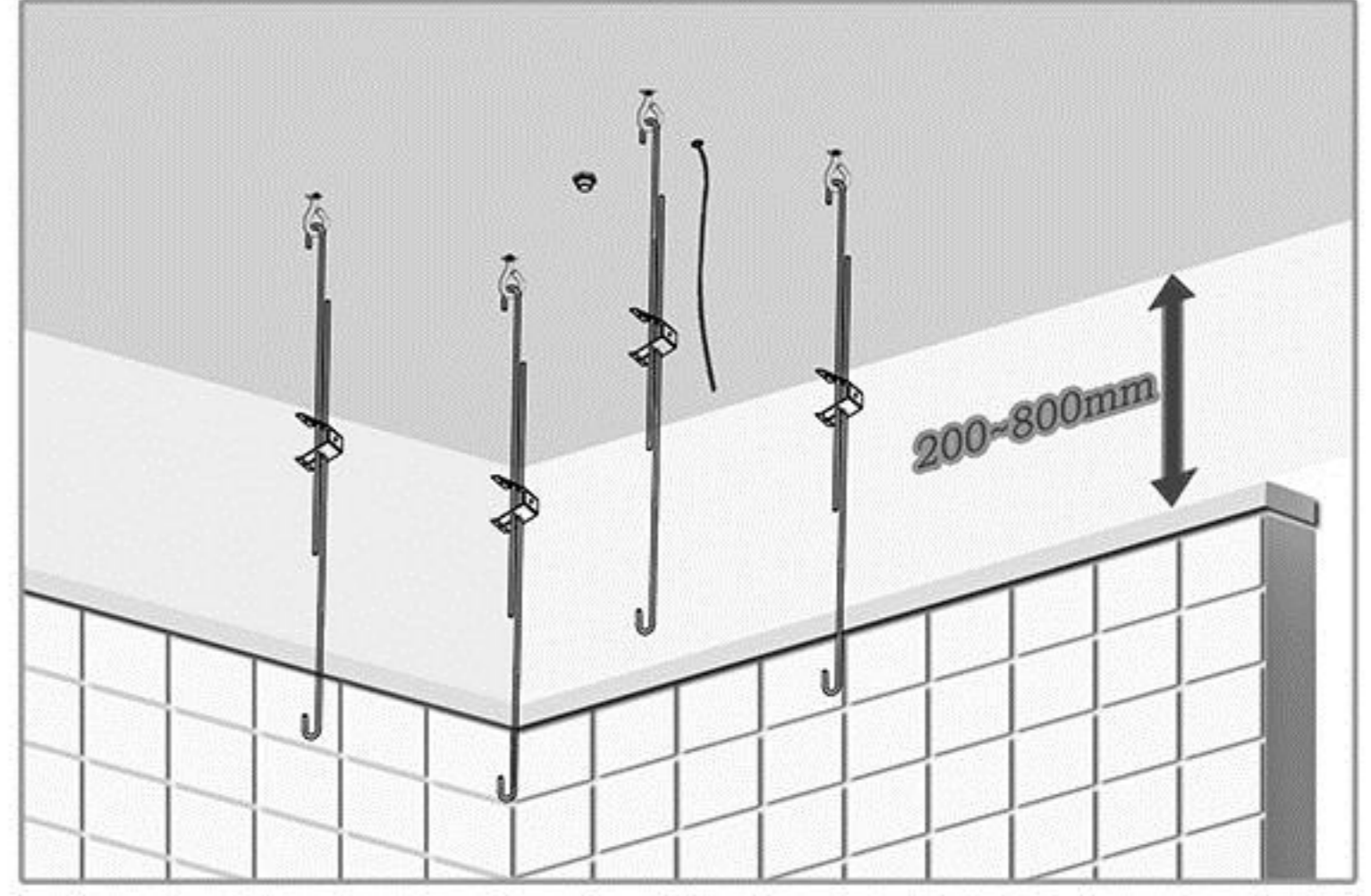


Draw and drill four holes on the wall. Insert plastic expansible screw. Turn the screw clockwise.



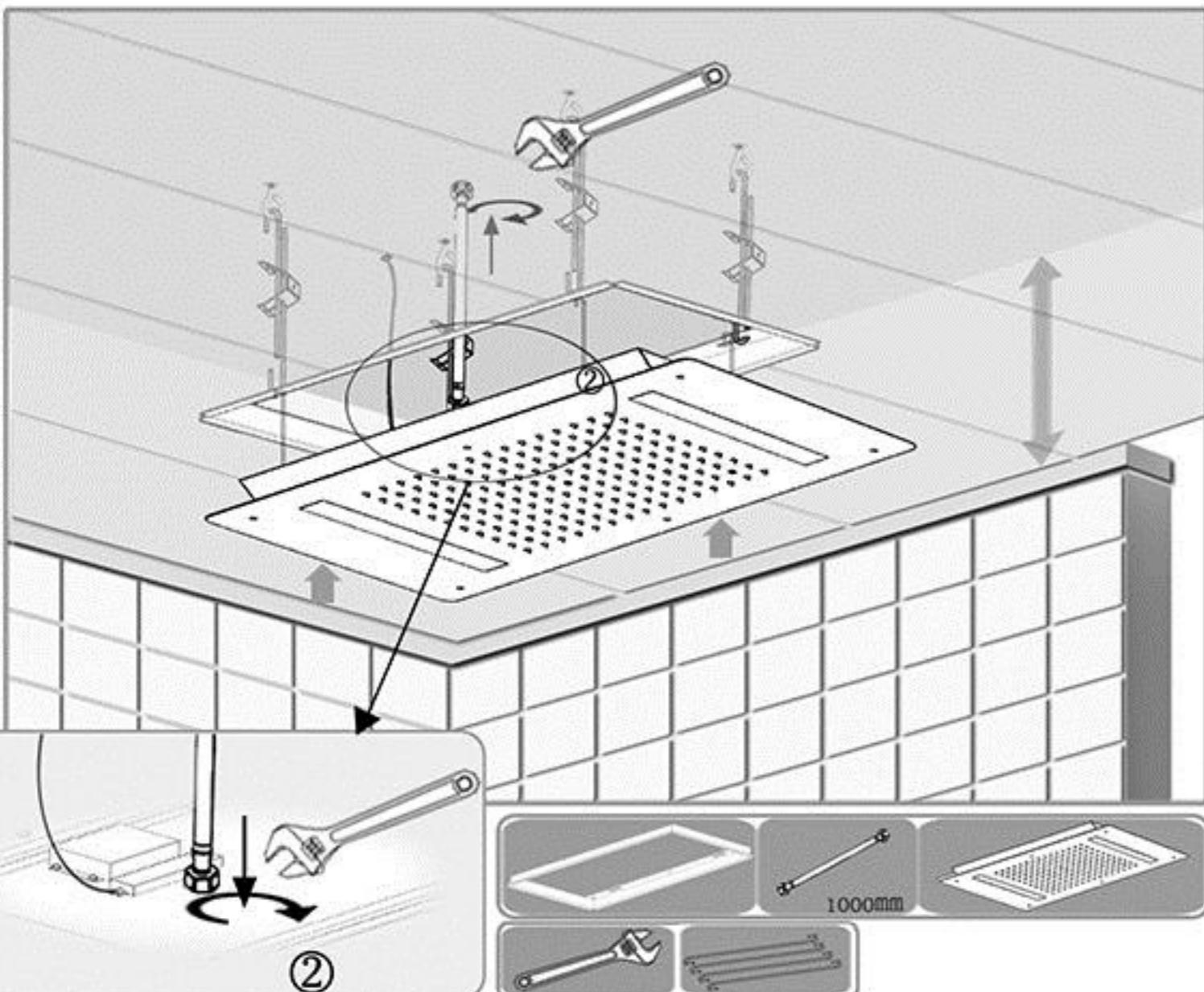
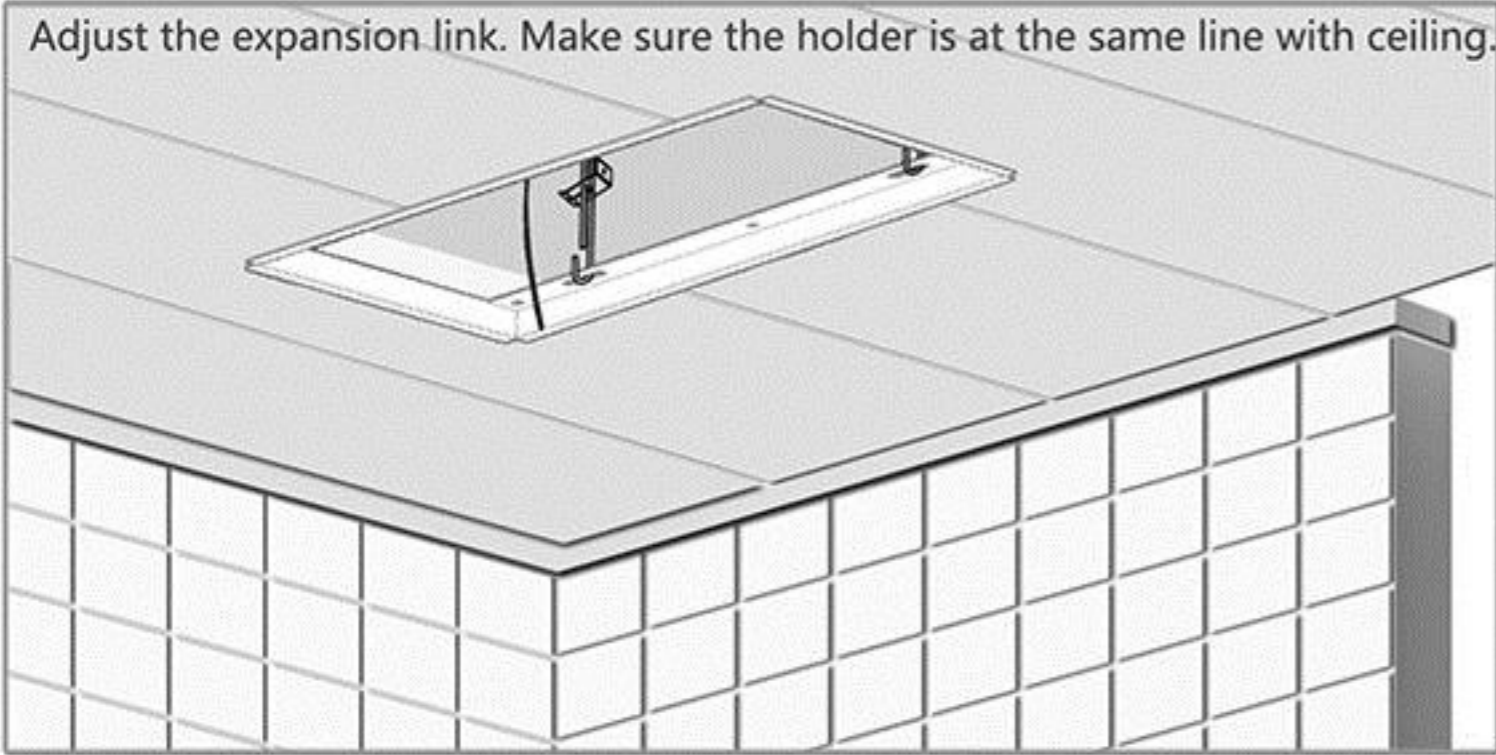
Bottom view

2

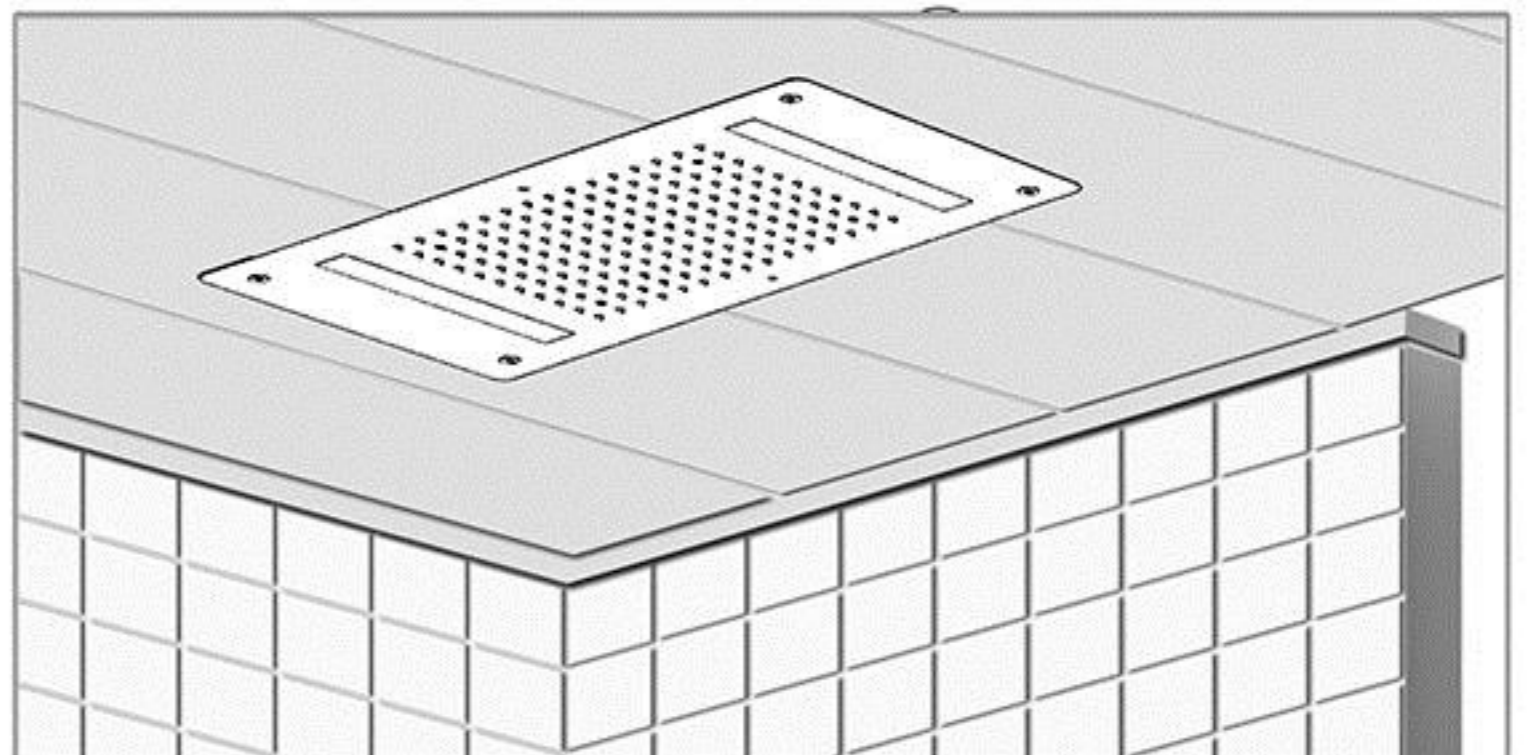
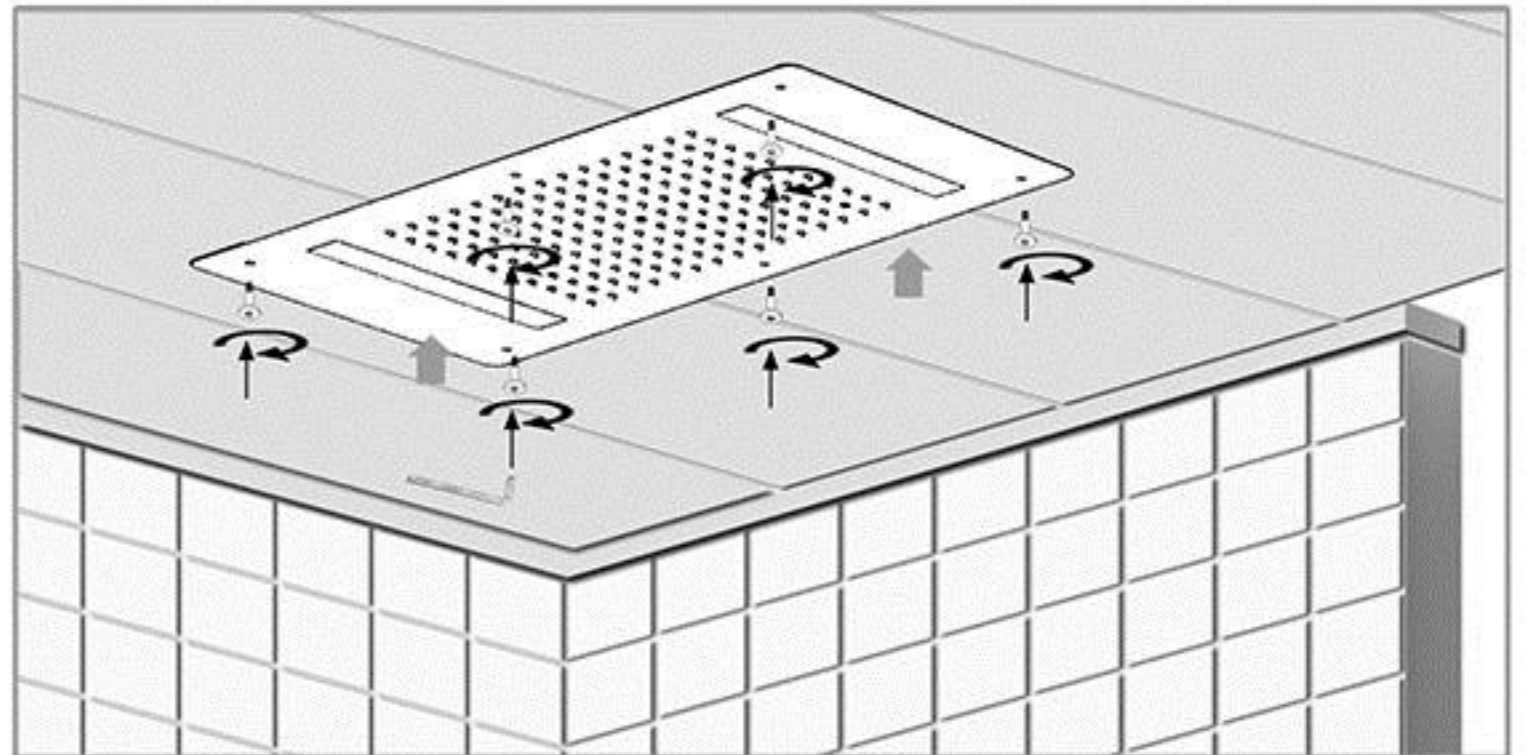


3

Adjust the expansion link. Make sure the holder is at the same line with ceiling.



4



5mm

INSTALLATION IS COMPLETE