

COLOR PANEL OF CHROMOTHERAPY

1	Gradual change of seven colors (Red,Green,Blue,White,Yellow, Light Blue,Purple)
2	Gradual change of White colors
3	Gradual change of Red,Green,Blue colors
4	Jump change of seven colors (Red,Green,Blue,White,Yellow, Light Blue,Purple)
5	Jump change of Red,Green,Blue colors
6	Gradual change of Red colors+jump change
7	Gradual change of Green colors+jump change
8	Gradual change of Blue colors+jump change

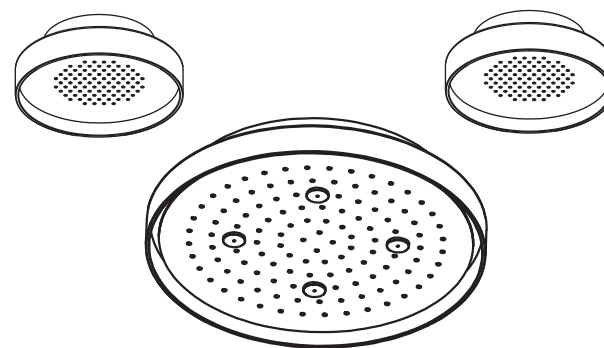
⚠ ATTENTION

Remote Control working voltage is DC12V andf it can not work with AC voltage.

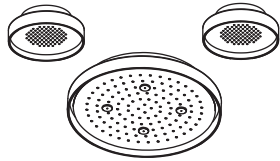
Remote Control works with nr.3batteries AAA(batteries of 12V 23A)

IP67   **CE**  **RoHS**

PRODUCT MANUAL



01/ PRODUCT



02/ TOOLS NOT INCLUDED



03/ SPARE PART LIST (Blue tooth & LED model)

X(1PC)		X(2PC)	
X(1PC)		X(2PC)	
X(12PC)		X(12PC)	
X(1PC)		X(3PC)	
X(1PC)		X(1PC)	
		X(1PC)	

How to use	
1	Press Key 1 to turn on/off
2	Press Key 2 to enter single color changing mode(key 4 and 5 to choose the color;keys 6 and 7 to regulate color intensity)
3	Press Key 3 once to activate color changing mode(key 4 and 5 to choose the sequence;keys 6 and 7 to increase or decrease speed of color sequence)
4	Press Key 3 twice to activate bluetooth music modes(key 4 and 5 to choose music;keys 6 and 7 to increase or decrease music volume)
5	<p>Matching code:</p> <ul style="list-style-type: none"> - keep pressing key 2 and connect Shower Panel to power net. Light will blink 3 times if matching is successful. - keep pressing key 2 again and connect Shower Panel to power net. Light will blink 3 times if matching is released.

06/ REMOTE CONTROL USE GUIDE

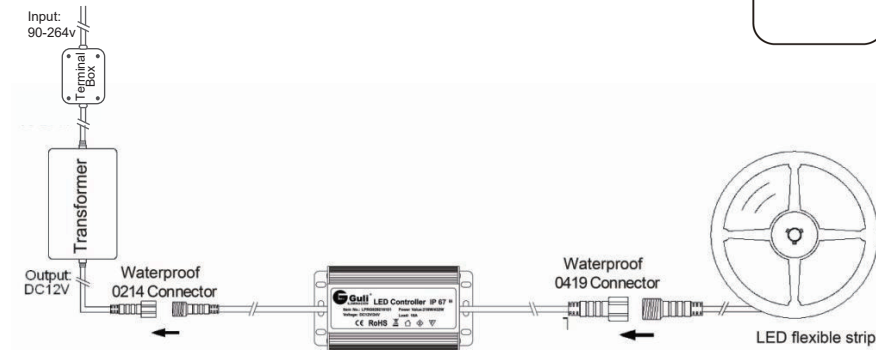
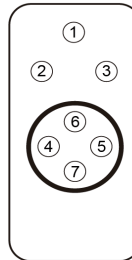
Working voltage : DC12V/24V

Control current : 18A

Total power : 216W

Receiving range : 20M

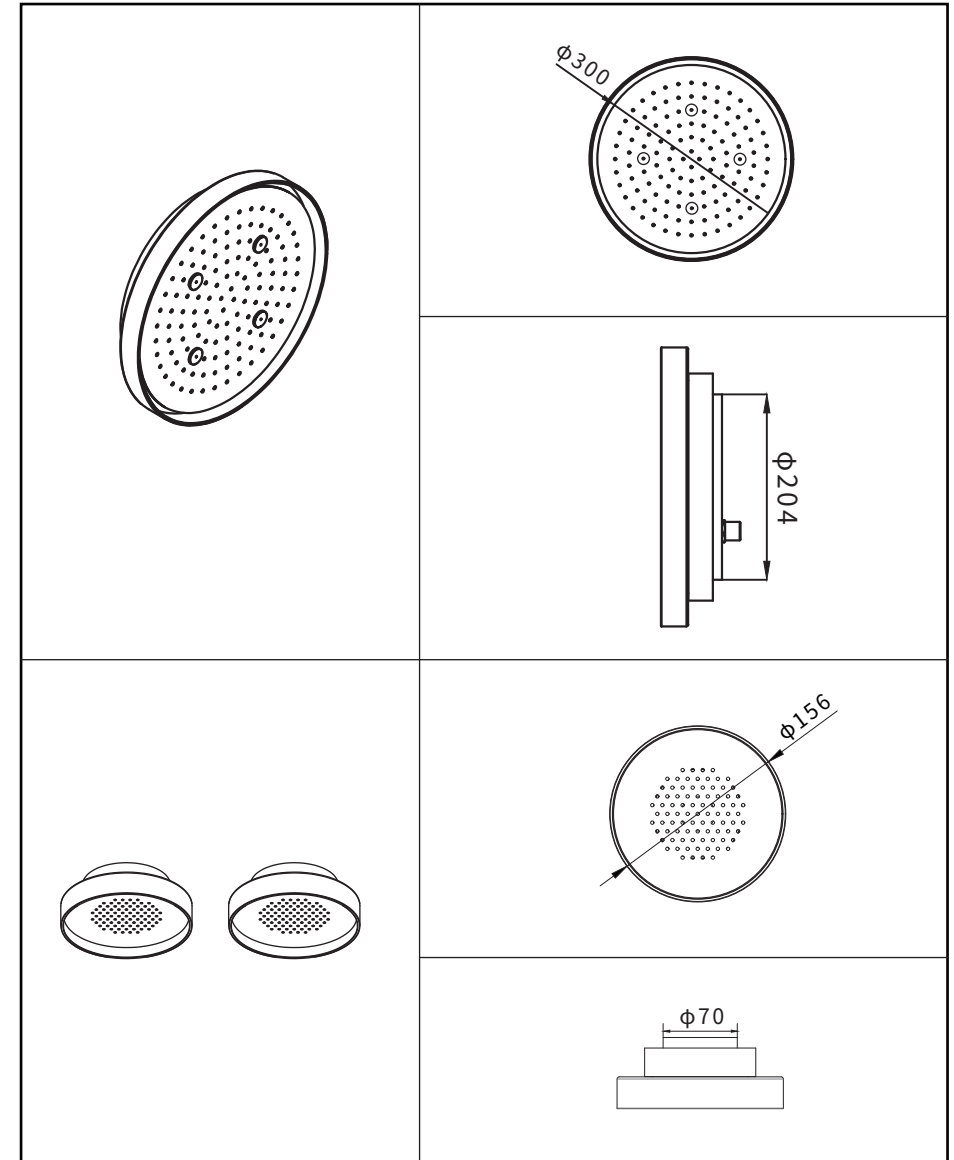
Connecting method : common anode



CONNECTION FORM

Functions of Keys	
key 1	on/off
key 2	single colors mode
key 3	color changing mode/modalita bluetooth
key 4	color modes choice(backward)/music choice(backward)
key 5	color modes choice/music choice(backward)
key 6	brightness turn up/color changing mode turn up/music volume turn up
key 7	brightness turn down/color changing mode turn down/music volume turn down

04/ DIMENSIONS



05/ INSTALLATION

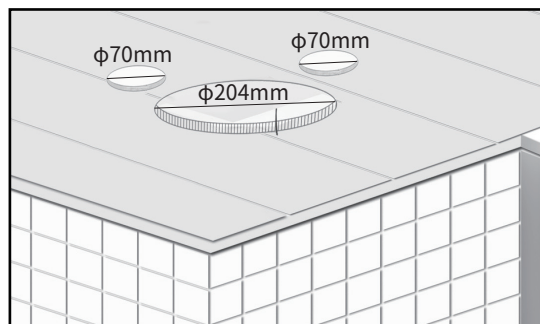


Chart1

Embed pipelines on the ceiling.
Create holes accordingly on the ceiling.

Note: 1 function=1 pipeline
2 functions=2 pipelines
3 functions=3 pipelines
...

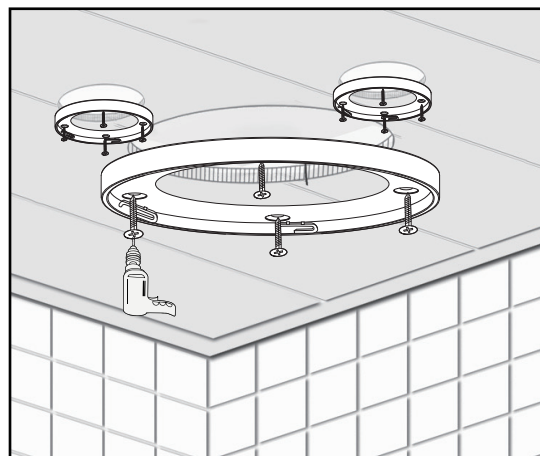


Chart2

Screw the back installation rings on the ceiling.

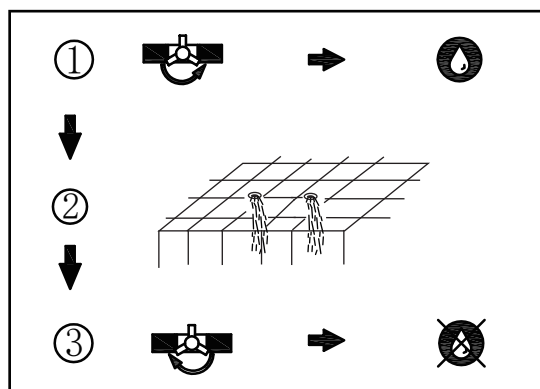


Chart3

Flush the dirty inside the pipelines.

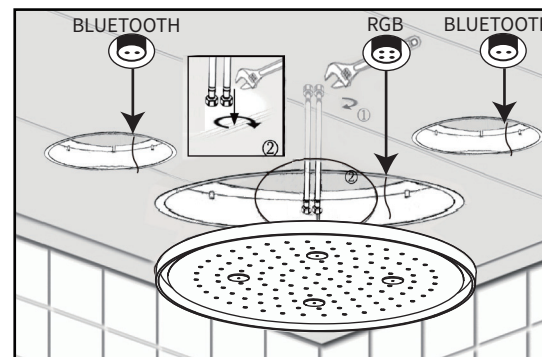


Chart4

Connect the pipelines and wire cables accordingly.

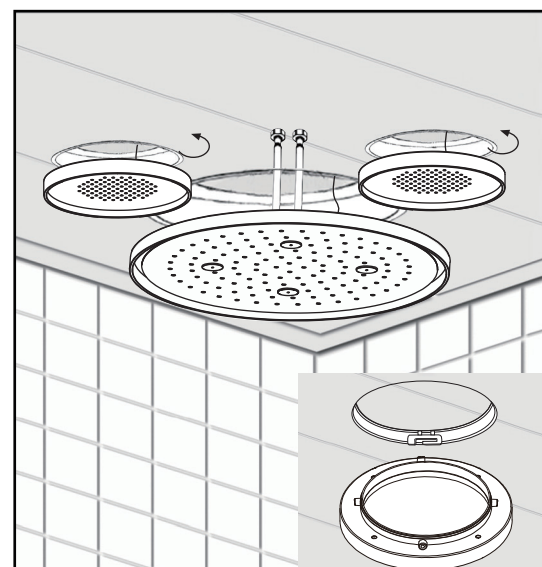


Chart5

Rotate the top shower and blue tooth to the back installation rings until they are locked.

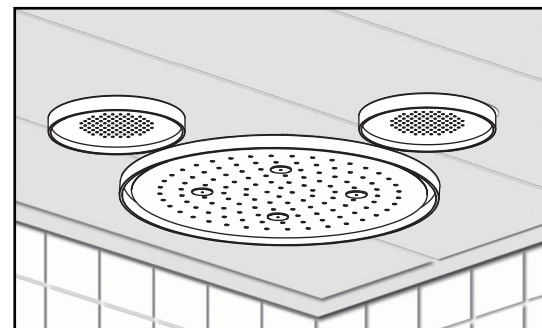


Chart6

Installation complete.
Note : No remote control for non-LED model.