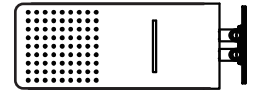
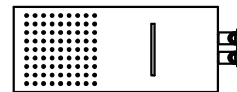
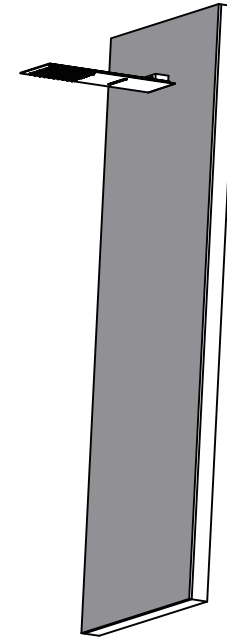
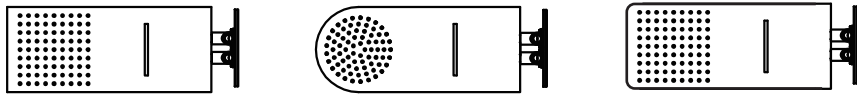
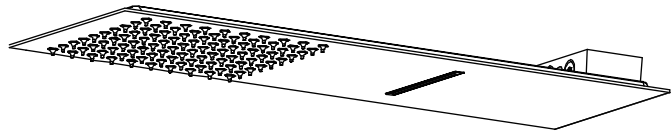


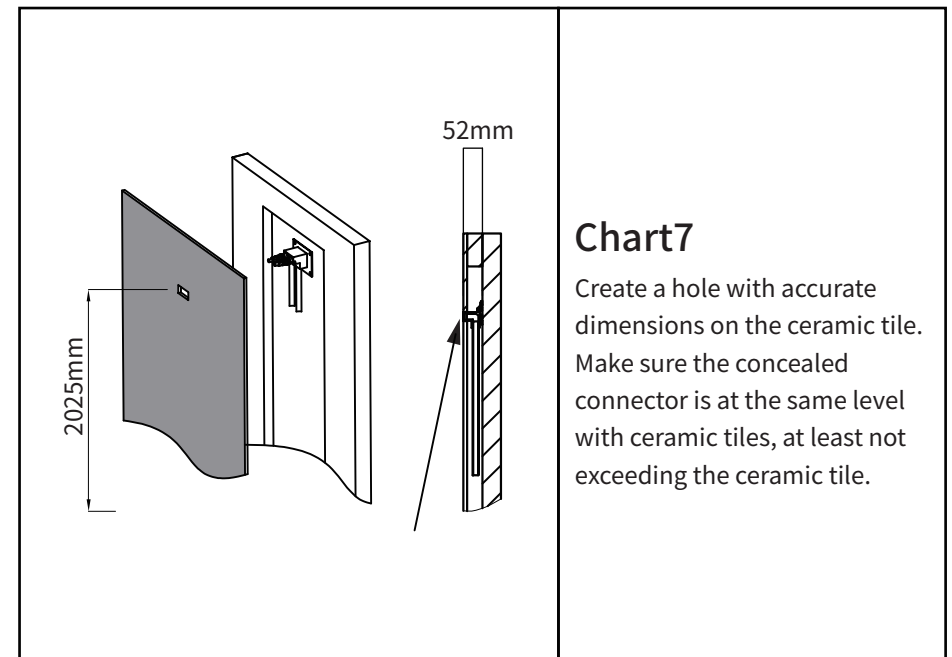
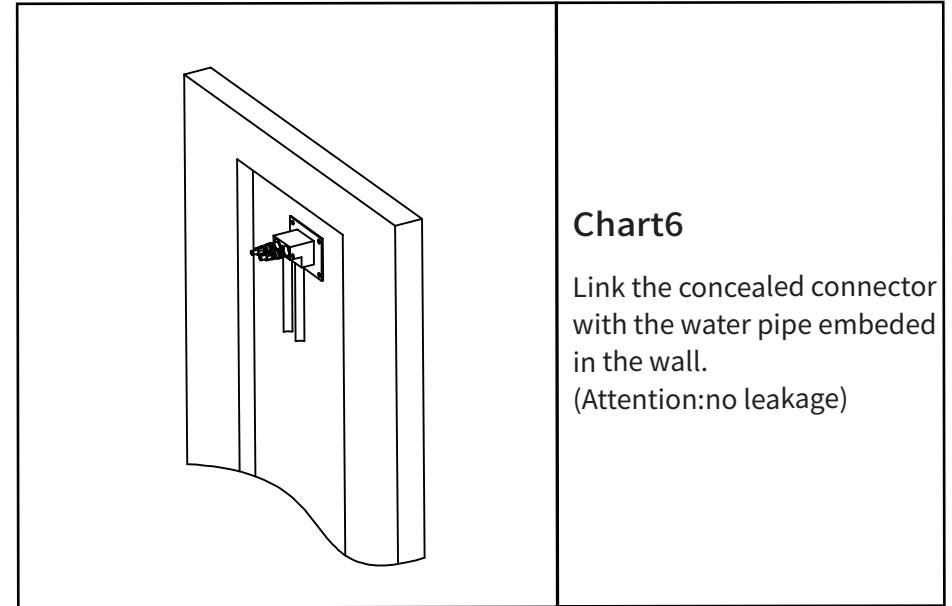
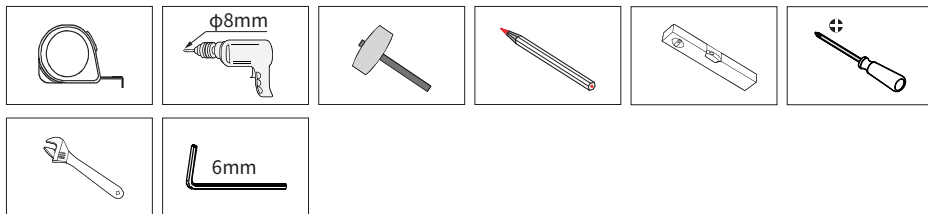
INSTALLATION MANUAL



01/PRODUCT



02/TOOLS NOT INCLUDED



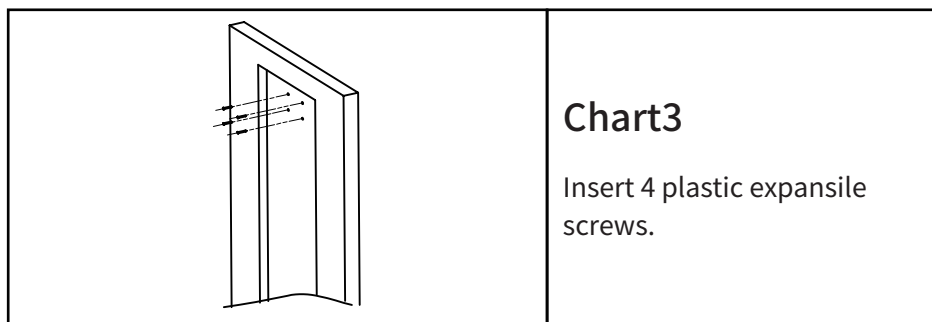


Chart3

Insert 4 plastic expansile screws.

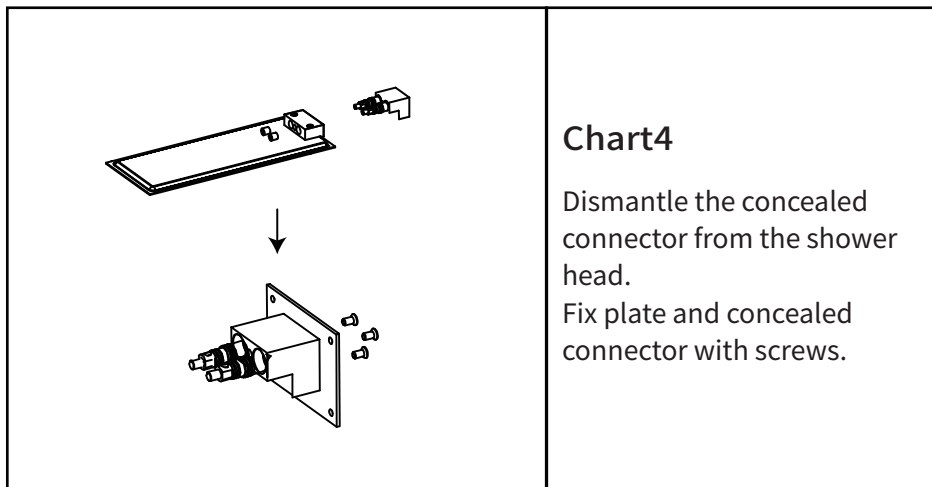


Chart4

Dismantle the concealed connector from the shower head.
Fix plate and concealed connector with screws.

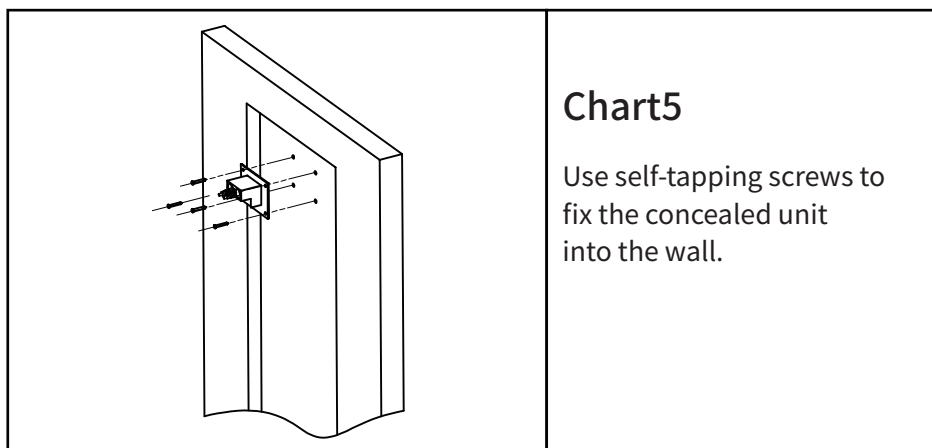
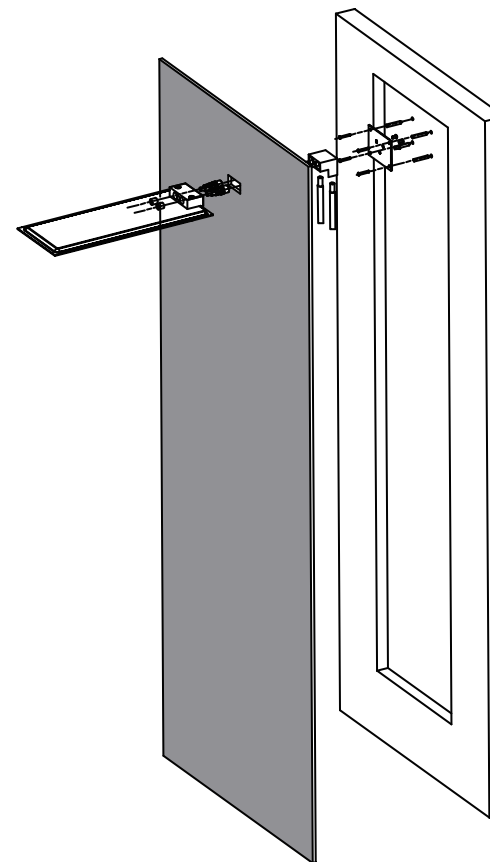


Chart5

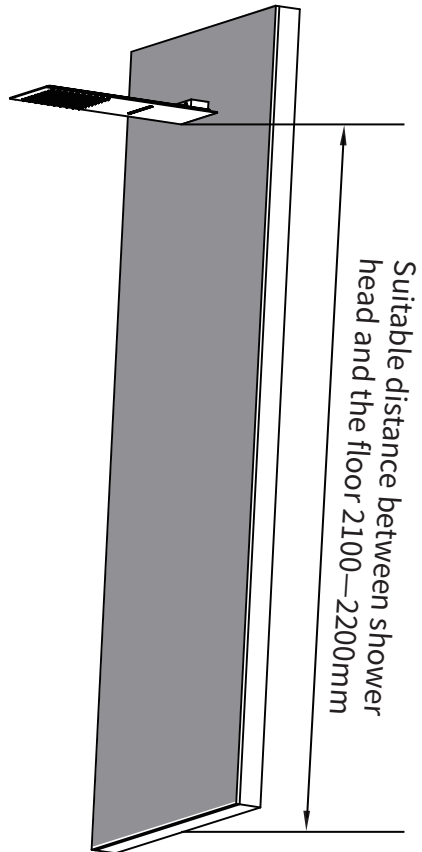
Use self-tapping screws to fix the concealed unit into the wall.

03/ SPARE PART LIST



| | | | | | |
|--------|--|--------|--|--------|--|
| X(1PC) | | X(4PC) | | X(4PC) | |
| X(1PC) | | X(4PC) | | X(1PC) | |
| X(3PC) | | X(4PC) | | X(4PC) | |

04 / DIMENSIONS



05 / INSTALLATION

| | |
|----------------------------|--|
| <p>①</p> <p>②</p> <p>③</p> | <h3>Chart1</h3> <p>Flush the water supply lines thoroughly to drain debris and impurities. Shut off the water before installation.</p> |
|----------------------------|--|

| | |
|--|---|
| | <h3>Chart2</h3> <p>Create an installation space in the rough wall according to real installation demand . Drill four holes on the wall. Diameter : 8mm, depth : 30mm.</p> |
|--|---|