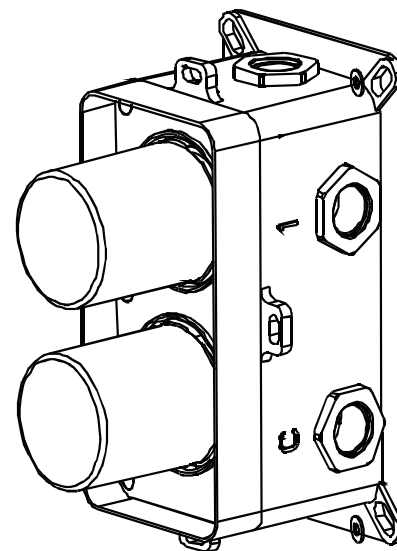
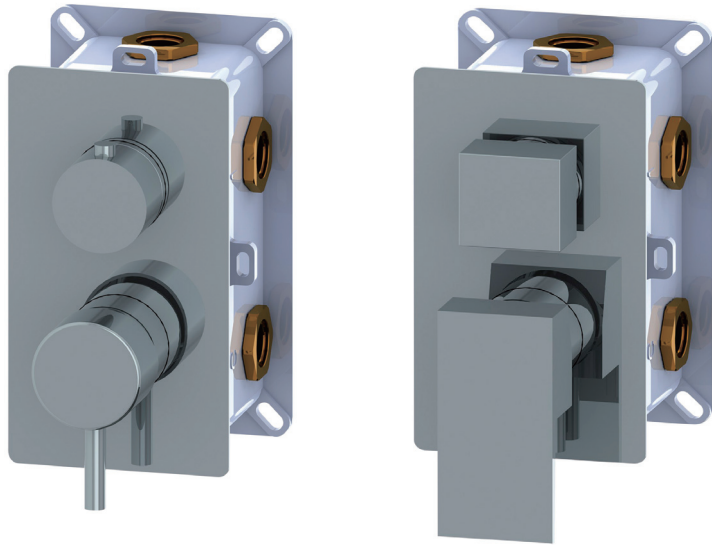


PRODUCT MANUAL

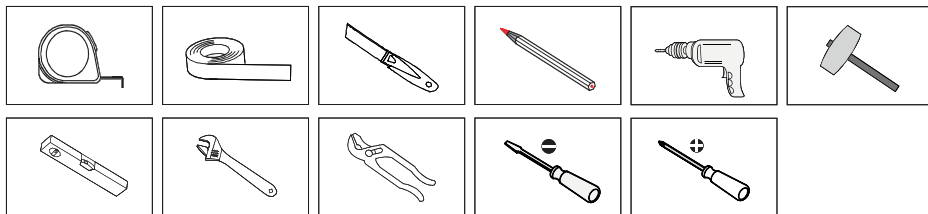


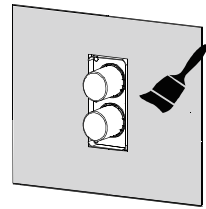
Version:2035(1)

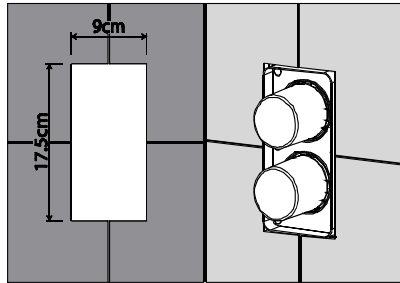
01/PRODUCT

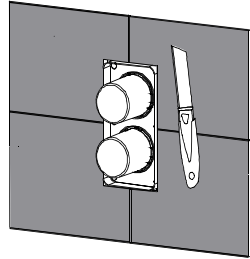


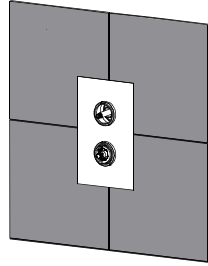
02/TOOLS NOT INCLUDED



	Chart7 Create a dry wall around the installation box and brush with water proof glue.
---	---

	Chart8 Leave a hole on tile covering according to chart dimensions above and real product size. Use silicone along the installation box to seal.
---	--

	Chart9 Cut the excess part of installation box. Make sure there are no bump edges above tiles.
--	--

	Chart10 Take away the plastic protection cups on the valve and insert the stainless steel plate. Consider the correct direction of plate.
---	---

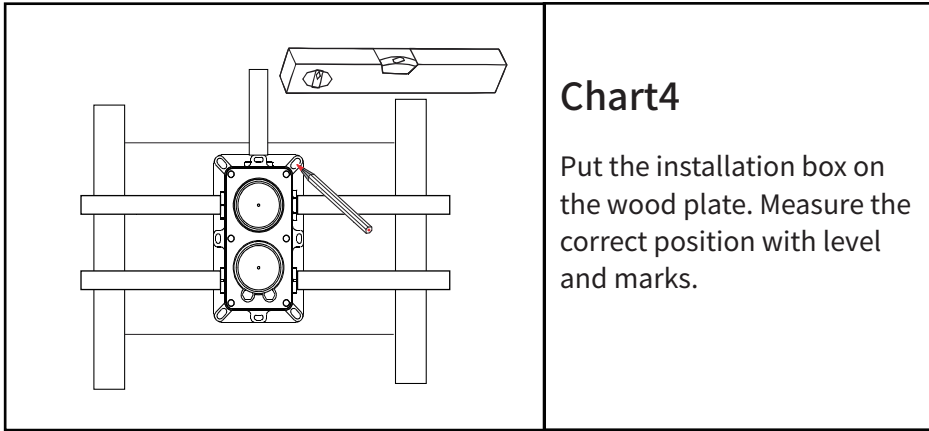


Chart4

Put the installation box on the wood plate. Measure the correct position with level and marks.

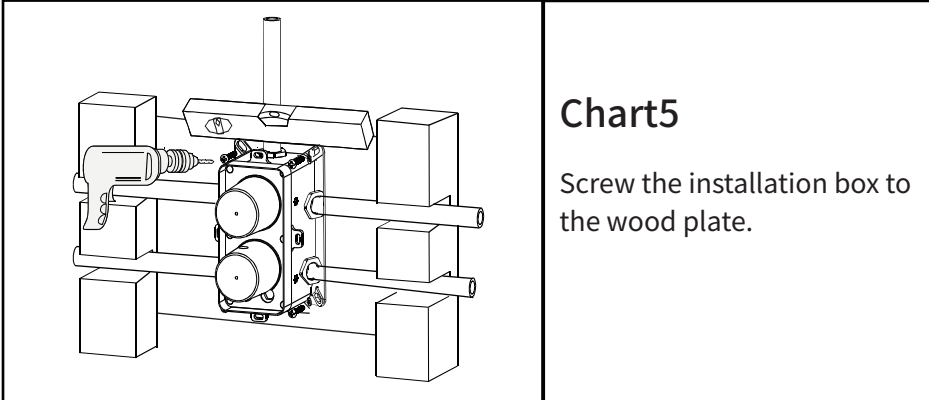


Chart5

Screw the installation box to the wood plate.

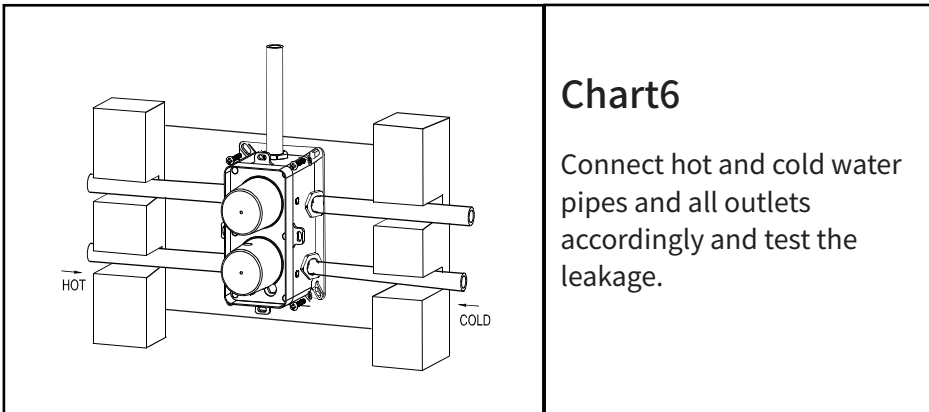
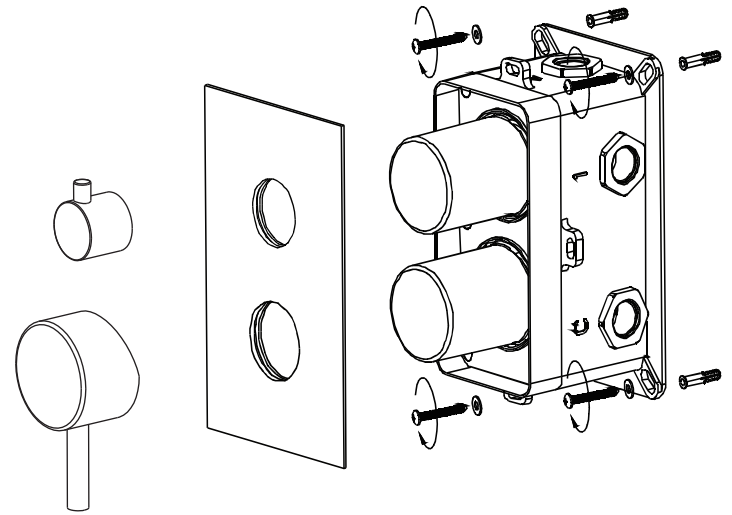
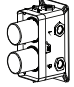


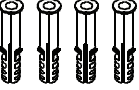


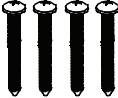



Chart6

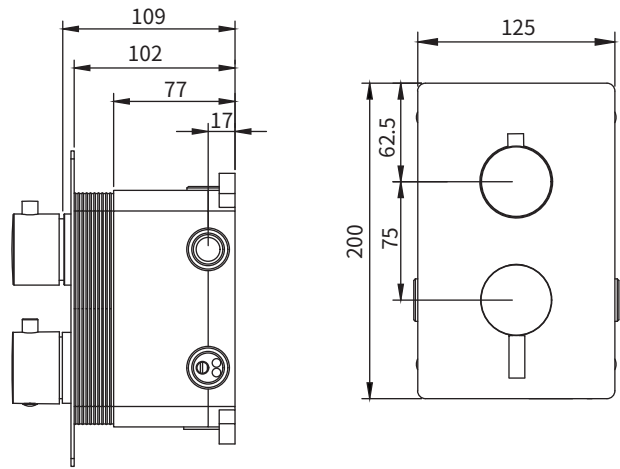
Connect hot and cold water pipes and all outlets accordingly and test the leakage.

03/ SPARE PART LIST



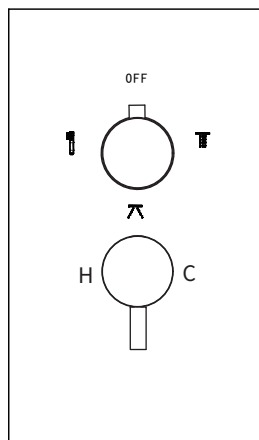
X(1PC)		X(4PC)	
X(1PC)		X(4PC)	
X(1PC)		X(2PC)	
X(4PC)		X(1PC)	

04/ DIMENSIONS



05/ FUNCTION

Please connector pipelines in the wall according to this function chart and real product.



06/ INSTALLATION

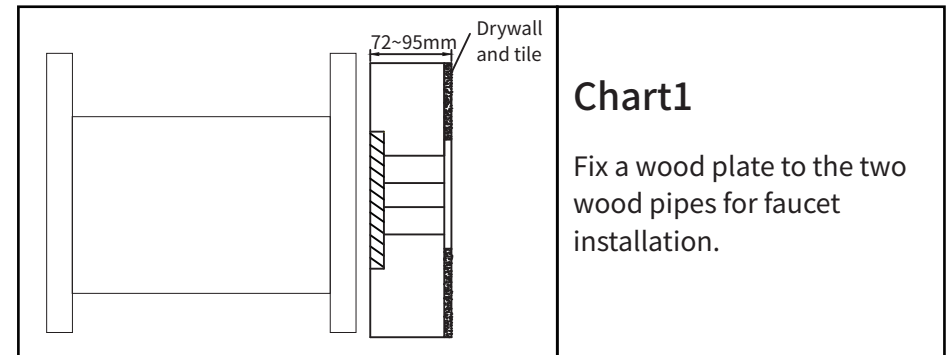


Chart1

Fix a wood plate to the two wood pipes for faucet installation.

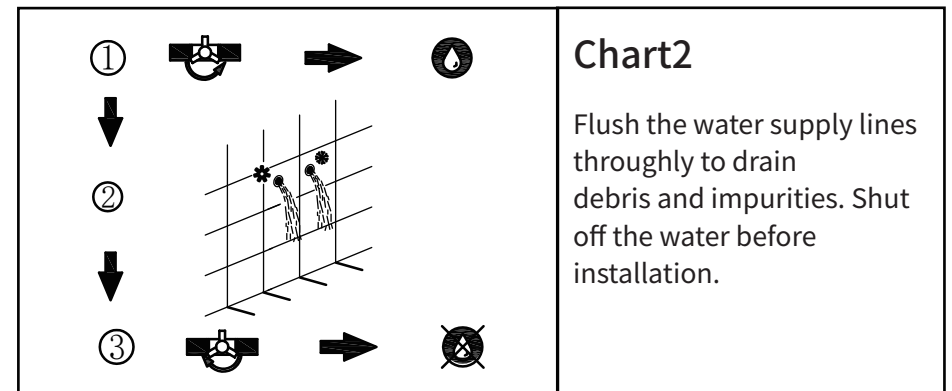


Chart2

Flush the water supply lines thoroughly to drain debris and impurities. Shut off the water before installation.

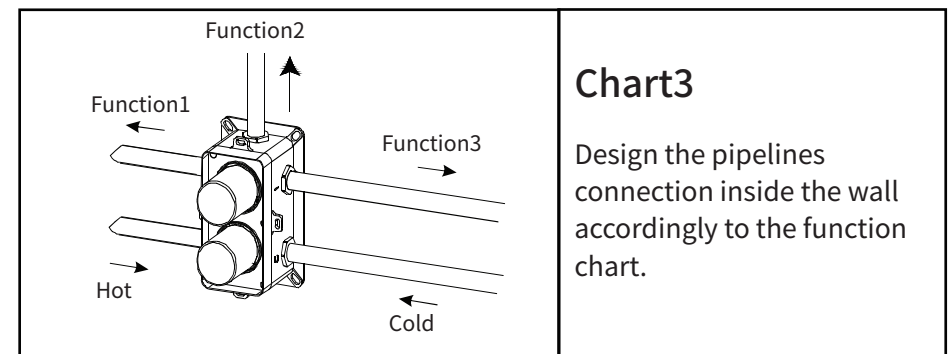


Chart3

Design the pipelines connection inside the wall accordingly to the function chart.