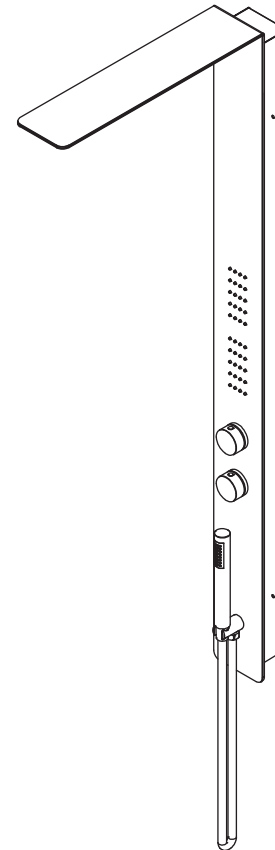
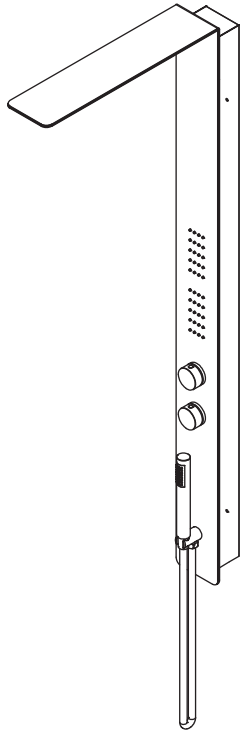


INSTALLATION MANUAL



01 / PRODUCT



02 / TOOLS NOT INCLUDED

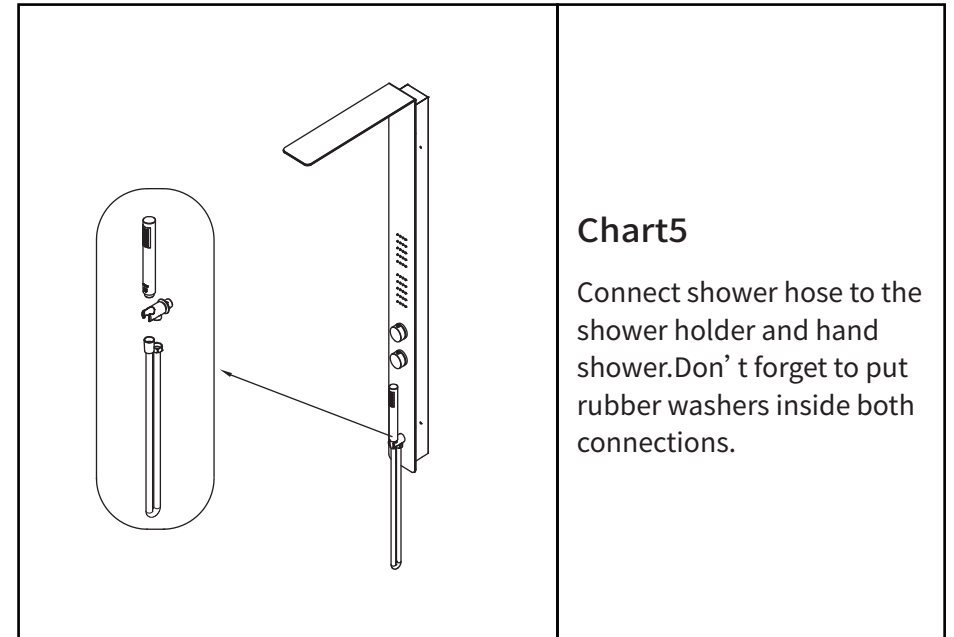
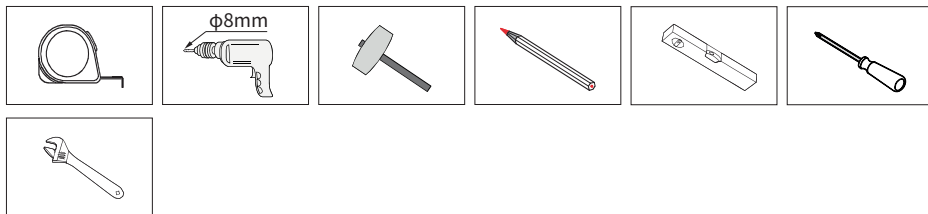


Chart5

Connect shower hose to the shower holder and hand shower. Don't forget to put rubber washers inside both connections.

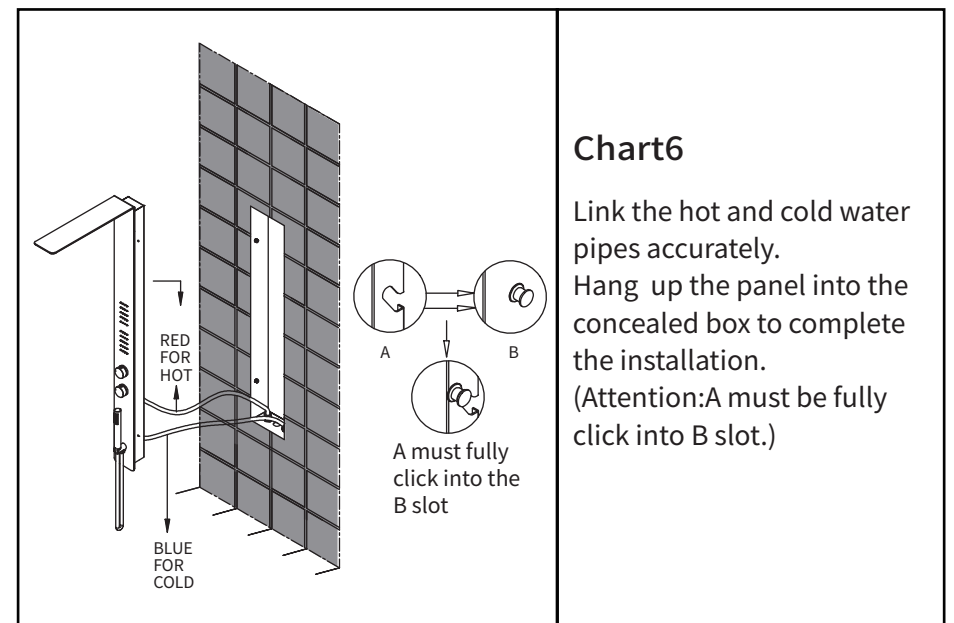


Chart6

Link the hot and cold water pipes accurately. Hang up the panel into the concealed box to complete the installation. (Attention: A must be fully click into the B slot.)

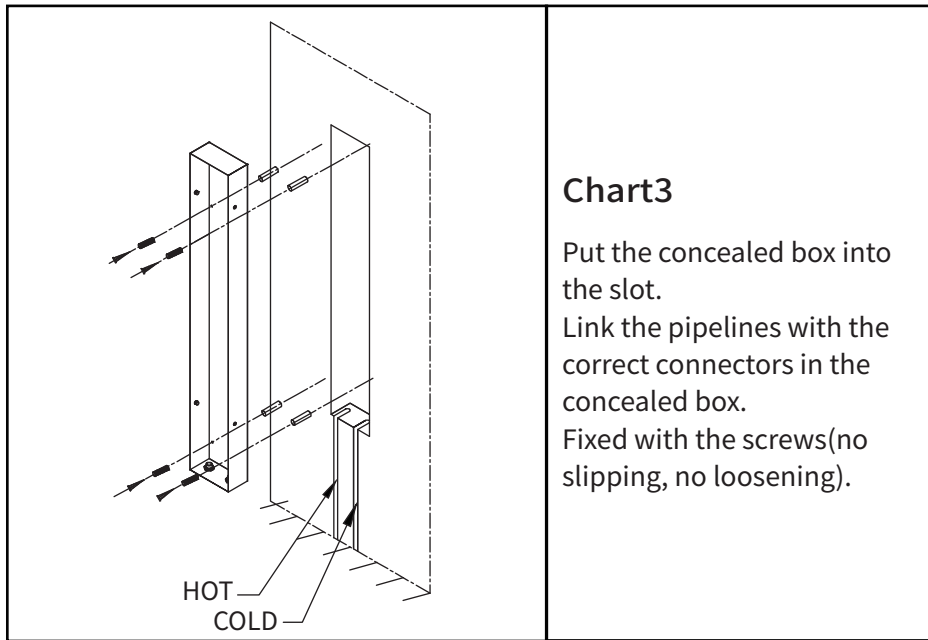


Chart3

Put the concealed box into the slot.
 Link the pipelines with the correct connectors in the concealed box.
 Fixed with the screws(no slipping, no loosening).

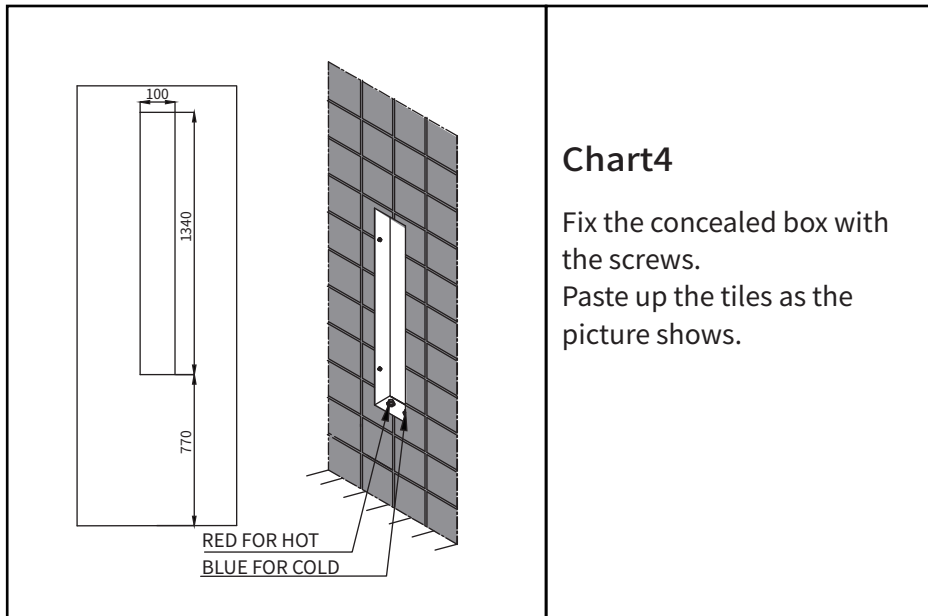
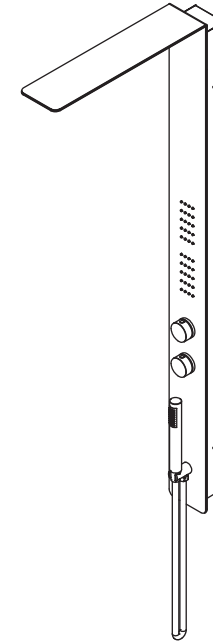


Chart4

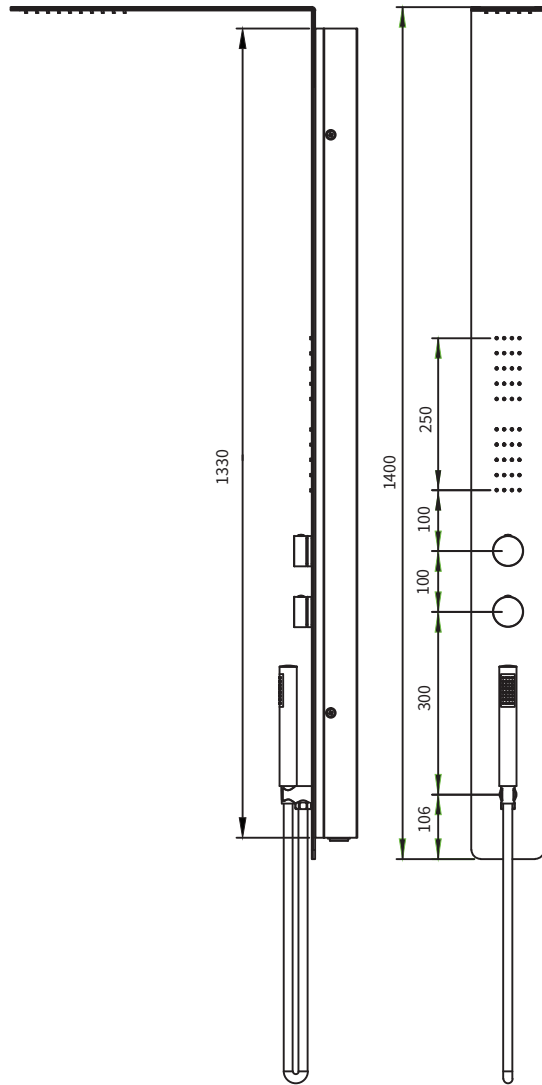
Fix the concealed box with the screws.
 Paste up the tiles as the picture shows.

03/ SPARE PART LIST



X (1PC)		X (1PC)		X(1PC)	
				X(1PC)	
				X(4PC)	
				X(4PC)	
				X(4PC)	

04/ DIMENSIONS



Unit:mm

05/ INSTALLATION

	<p>Chart1</p> <p>Flush the water supply lines throughly to drain debris and impurities. Shut off the water before installation.</p>
--	--

	<p>Chart2</p> <p>Carve a rectangular slot(L1340mm*W100mm*H60mm)in the wall at 770mm high from the ground and water pipelines accordingly.(The overall height should follow real demand.) Please double check the sizes with real product.</p>
--	--