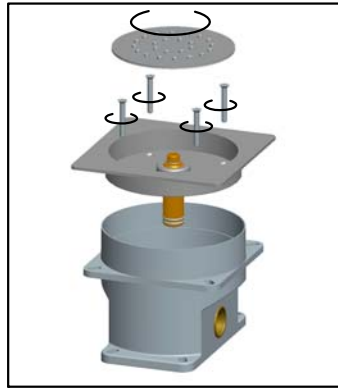
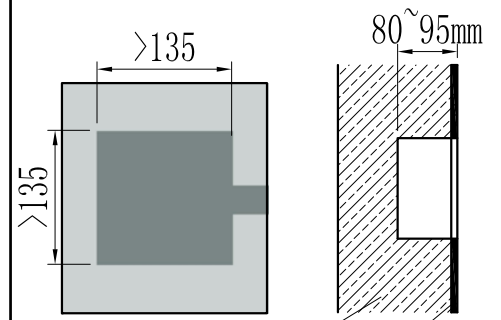


# PZT1020

## INSTALLATION INSTRUCTION

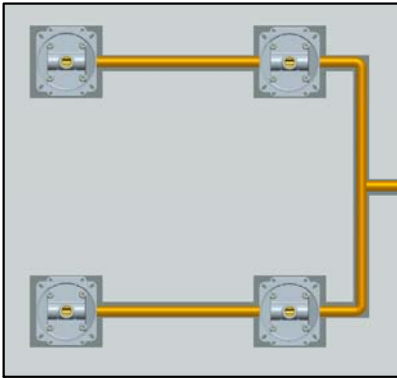


1) To revolve the nozzles and 4 sets M4 screws by counter clockwise rotation, and then take out nozzles and panel .

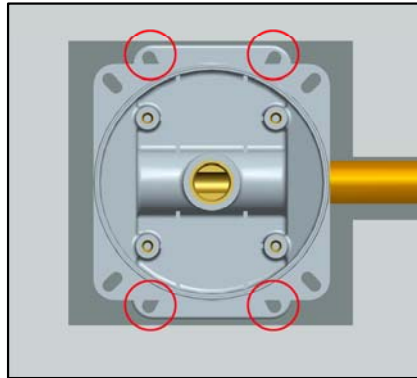


Roughcast wall Imaginary tile

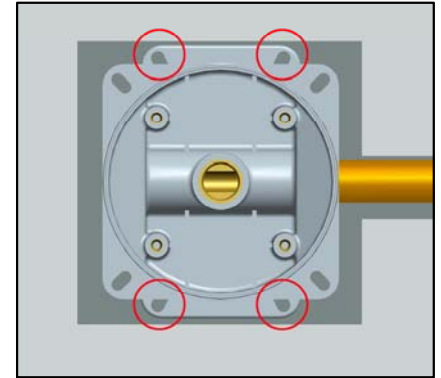
2) According to the using situation, to dig a concealed hole in the right position, the size is bigger than 135mmx135mm, the depth of opening wall is 80-90mm distance the tile end.



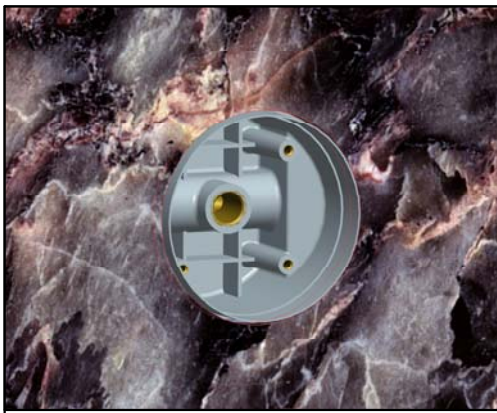
3) To set up pipelines according to using situation, to connect pipelines and the concealed box, and then test water, make sure pipelines no leakage water.



4) To place the concealed box in the wall, and make sure the same level using leveling instrument, then drill to open positioning hole, and then bury the expansion tube.



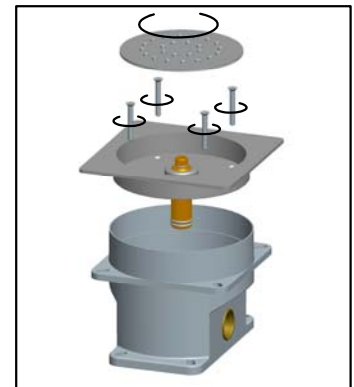
5) To fix concealed box using self tapping screws with gaskets, and maintain the same level.



6) Fill cement in the external groove of concealed box, Stick tile well.



7) To recess the higher part of the conceal box as not to interfere with the tile, make sure that if you have cut the box that is free of burrs.



8) To revolve the nozzles and 4 sets M4 screws by clockwise, to install the nozzles and the nozzle panel on plastic concealed box.