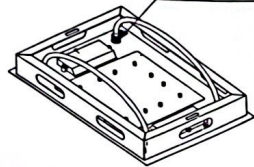
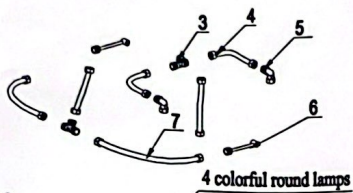
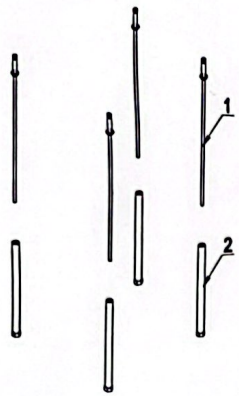


YH-D8882		
No.	Name	Quantity
1	Screw	4
2	Suspender	4
3	Tee-junction	3
4	Short braided tube	6
5	Angle joint	4
6	Waterfall joint	2
7	Long braided tube	4
8	Joint	4
9	8mm hexagon wrench	1
10	A pair of gloves	1
11	Intelligent remote control	1

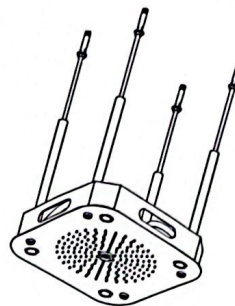


Check fittings

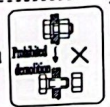
Standard Accessories List:

When you open the product packaging, please check whether the physical objects are consistent with the main body and accessories you purchased. If there is any discrepancy, please contact our company or our distributor.

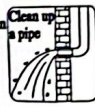
# Operating manual of three-function top spraying



This product has been inspected and debugged by the factory to the best condition, please do not disassemble and assemble by yourself;



Before installing the faucet, please remove the sundries and sludge in the water pipe first, so as to avoid the sundries blocking the faucet and affecting the normal water outlet



## Clean and Care

In order to keep the appearance of the product bright and bright and good service life, please care for the top spray as follows:

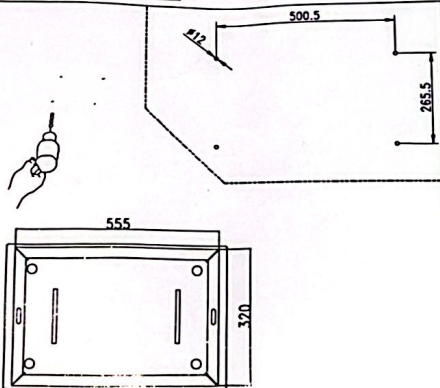
1. Rinse with clean water and dry with soft cotton cloth;
2. Mild stainless steel glass cleaner can be used to remove surface dirt and stains;
3. Avoid using detergents containing acidic substances, which may corrode stainless steel, lead to oxidation and pollution.
4. Avoid friction with hard objects such as metal or cutters to avoid scratches or damage

### 1. Product installation steps

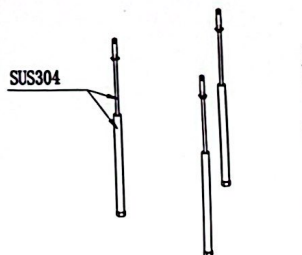
Welcome to use our products



### 2. Drill holes at proper positions, with a hole depth of 50mm.



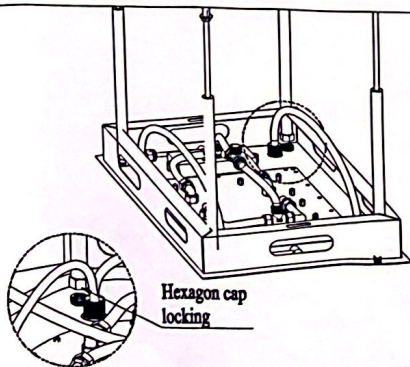
### 3. Lock the boom



The expansion head is inserted into the punched hole  
Position of screw locking derrick

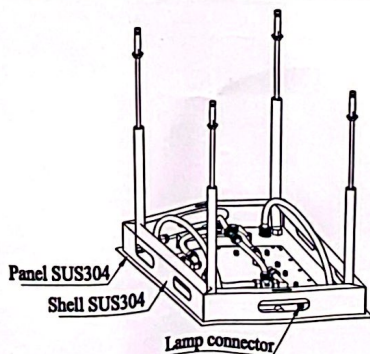
1. The screw should be short and flat with a surface distance of 10 cm. The best installation is
2. Screw 50cm, suspender 30cm, adjustable length 70 cm, adjustable 40 cm
3. Use 8mm hexagon wrench for installation and removal

### 4. Install the top spray body

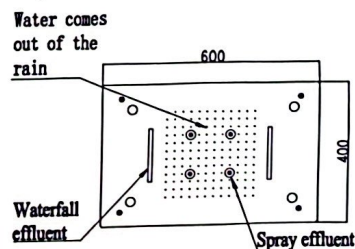


Hexagon cap locking

### 5. Install the bracing pipe and connect the corresponding water outlet port

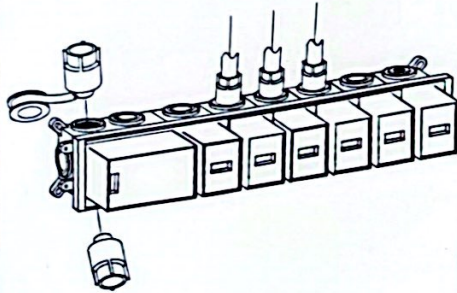


### 6. Dimensions



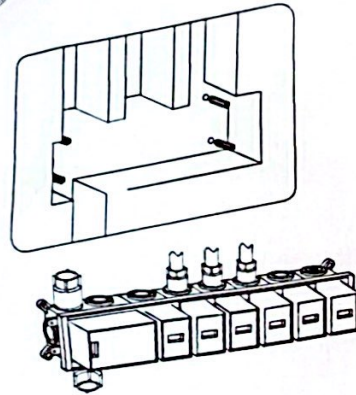
## Installation steps

1



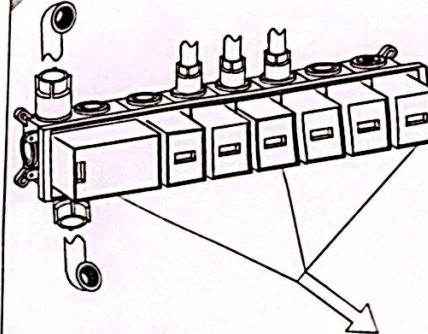
The thread connection shall be sealed with raw material tape.

2



Connect the main body with the pipe against the wall, draw the outline with a pen and then slot it, drive the colloidal particles into the wall, lock the main body on the wall with self-tapping screws, and adjust the level.

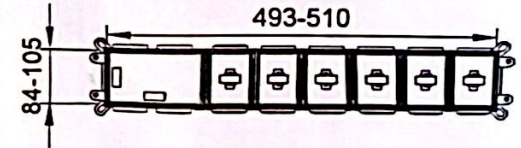
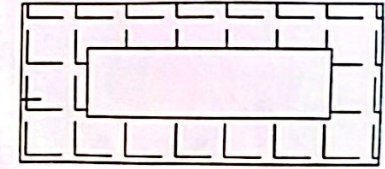
3



Plug the water thread with the plug, open the protective cover, open the key valve core, test the water and maintain the pressure normally, and install the protective cover before placing the tile without water leakage to avoid hurting the main body.

4

Cut tile square holes according to the corresponding dimensions



Unit: mm

5



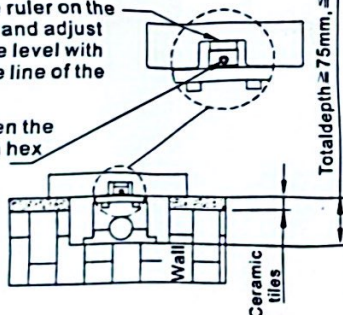
1. Turn off the spool modulation (press to close)



Install the scale

2. Place the ruler on the tile surface and adjust the nut to be level with the concave line of the ruler

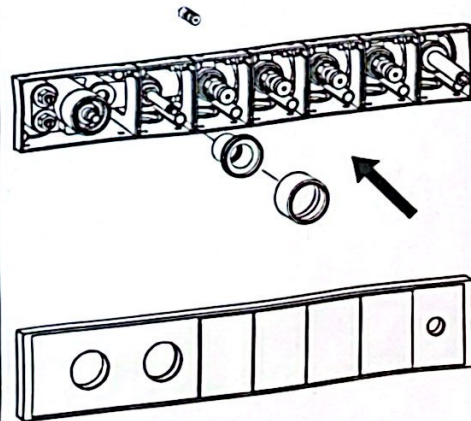
3. Then tighten the screws with a hex key



Total depth  $\approx 75\text{mm}$ ,  $\approx 85$

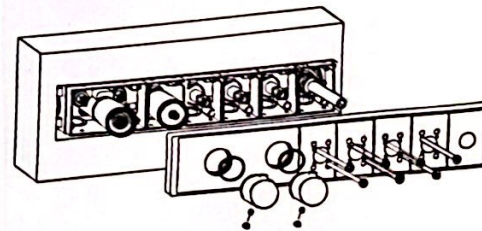
After fixing the tile, place the ruler on the tile surface as shown in the picture, level the nut and tighten the screw with the hex key.

6



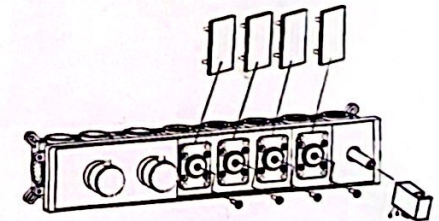
Screw the connecting sleeve and decorative ring to the corresponding position of the main body as shown in the figure.

7



As shown in the figure, use M4\*75 screws to lock the panel to the tile surface.

8



After the panel is fixed, lock the M5 screw on the key, and then install the handwheel, the key, the shower head socket, and the key identifier on the corresponding outlet accessories

# Installation steps

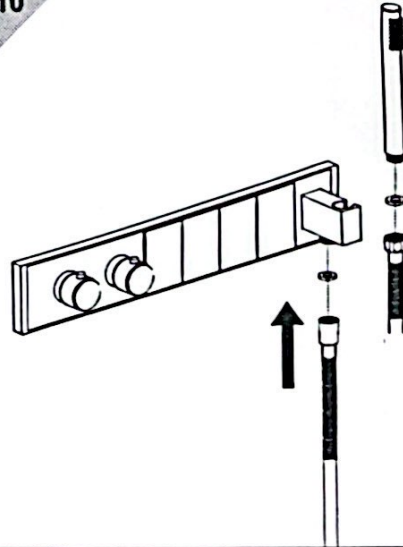
9

Attention. During the installation process, keep the white temperature control wire of the pool rod aligned (the temperature line is adjusted at the factory).



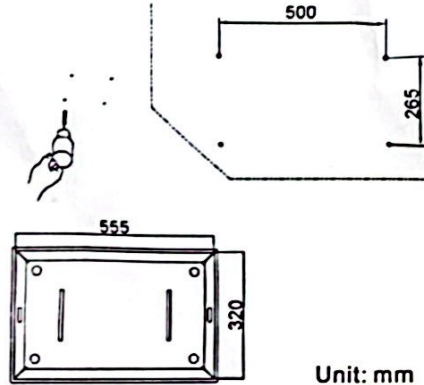
Align temperature control lines

10



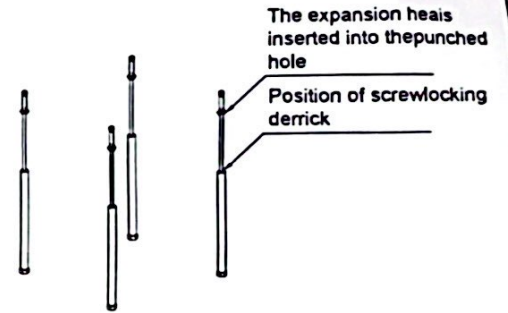
11

Drill holes at proper positions, with a hole depth of 50mm



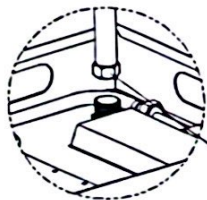
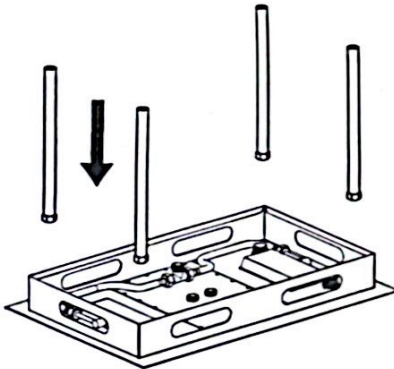
Unit: mm

12



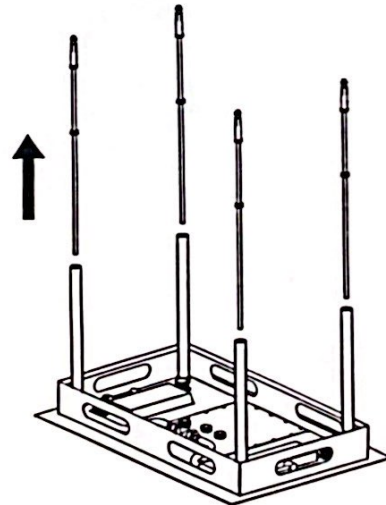
1. The screw should be short and flat with a surface distance of 10 cm.
2. Screw 50cm, suspender 30cm, adjustable length 70 cm, adjustable 40 cm
3. Use 8mm hexagon wrench for installation and removal

13



Hexagon cap locking

14



Install the bracing pipe and connect the corresponding water outlet port

15

