

TABLE OF CONTENTS

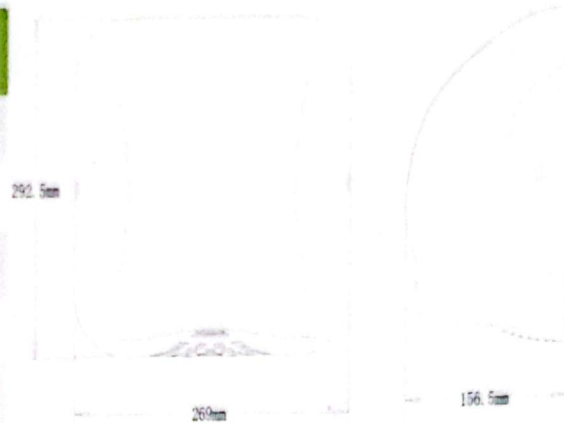
Specifications	2
Important Safety Instructions	3
Installation Instructions	4-6
How To Use	7
Maintenance	8
Troubleshooting Guide	9
Construction Diagram	10

HAND DRYER

SPECIFICATIONS

ELECTRICAL & CONSTRUCTION

Voltage	AC110V-130V
Rated Power	1400W
Sensor Range	10~15CM
Wind Speed	>90M/S
Air Temperature	adjust by temperature system
Net Weight	3.9 KGS
Waterproof Rating	IPX1
Electric Shock Protection	Class I
Inside Filter	Yes



SIDE VIEW

DIMENSIONS

HEIGHT:	292.5MM
WIDTH:	269MM
DEPTH:	156.5MM



WALL PLATE VIEW

IMPORTANT SAFETY INSTRUCTIONS



READ ALL INSTRUCTIONS BEFORE INSTALLING. WHEN CHOOSING TO HARDWIRE, THIS UNIT MUST BE INSTALLED BY A QUALIFIED LICENSED ELECTRICIAN.



ANY WIRED APPLIANCE IS ELECTRICALLY LIVE EVEN WHEN OFF. FAILURE TO FOLLOW THE WARNINGS AND INSTRUCTIONS IN THIS MANUAL MAY CAUSE SERIOUS INJURY OR DEATH FROM ELECTRICAL SHOCK.

To reduce the risk of burns, electrocution, fire, or injury to persons:

- Disconnect all power sources prior to installing or servicing Hand Dryer and test for electrical activity.
- Check local building codes for proper hardwire installation.
- DO NOT put any objects into the air outlet, otherwise will get an electric shock risk.
- DO NOT use where the unit may come into direct contact with water.
- DO NOT use where the room temperature reaches below 15°F (-10°C) or above 105°F (40°C).
- DO NOT use under strong direct sunlight as it may cause the unit's sensor to malfunction.
- Hang Dryer must be appropriately grounded for proper installation.
- Each Hand Dryer must have its own dedicated circuit line.
- Each Hand Dryer must be connected to the nearest distribution panel.
- Electricity must not be supplied through an external switching device, such as a timer, or connected to a circuit that is regularly switched on and off.
- Any Hand Dryer requires supervision for the use by young children or persons with physical, sensory, or mental disabilities to ensure they can use the hand dryer safely.
- Allow no one to hang from Hand Dryer and do not use it as a hanging support for other objects.
- Hand Dryer is intended for use in commercial and industrial premises only. Not for home use.

INSTALLATION INSTRUCTIONS








READ ALL INSTRUCTIONS BEFORE INSTALLING. WHEN CHOOSING TO HARDWIRE, THIS UNIT MUST BE INSTALLED BY A QUALIFIED LICENSED ELECTRICIAN.

UNPACKING

1. Carefully remove Hand Dryer from its packaging.
2. Inspect Hand Dryer carefully for any loose or missing parts or any damage that may have occurred during shipping.
3. If any visible damage is seen DO NOT continue with installation.

INSTALLATION

IN THE BOX:

-  Hand Dryer (In assembly: Cover, Wall Plate with motor, 2 Hex Screws).
-  Security Hex Key Tool.
-  6 Screws ST4.8x32(mm).
-  Manual.
-  6 pcs $\phi 8$ ABS expansion screw



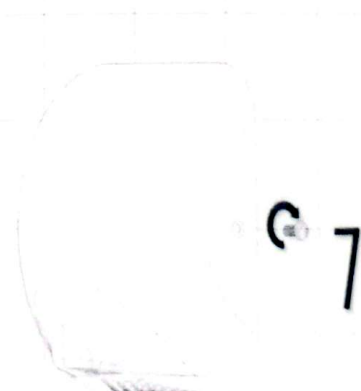
DO NOT ATTEMPT TO INSTALL HAND DRYER WHILE THE POWER IS ON.

① Disconnect all power sources.

② Carefully remove the Cover using the Security Hex Key Tool that is supplied. Turn the Hex Screws counter-clockwise to loosen.



Do not discard Security Hex Key Tool. Store for future maintenance where cover removal will be required.



HAND DRYER

INSTALLATION INSTRUCTIONS

3 Determine the appropriate installation location based on the following:

- Hand Dryer must be installed on a smooth and flat surface.
- The minimum mounting distance from the bottom of the dryer to a reflective surface is 16" (41cm).
- View there commended mounting heights listed below.
- Mount at least 25" (64cm) away from a sink.
- Mount at least 15" (38cm) between multiple units.
- Make sure your electrical wire is at the correctly designated location for hardwire installation .Refer to images below.

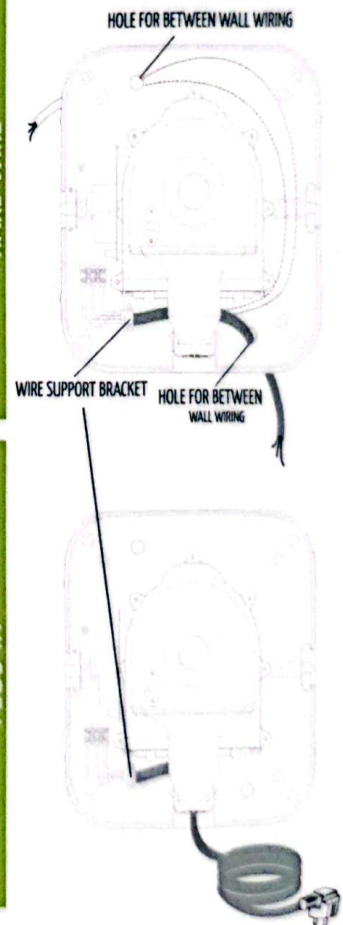


RECOMMENDED MOUNTING HEIGHTS

universal/male	46" (117cm)
female	44" (112cm)
children (ages 15-17)	43" (109cm)
children (ages 11-14)	39" (99cm)
children (ages 7-10)	36" (91cm)
handicapped	37" (94cm)

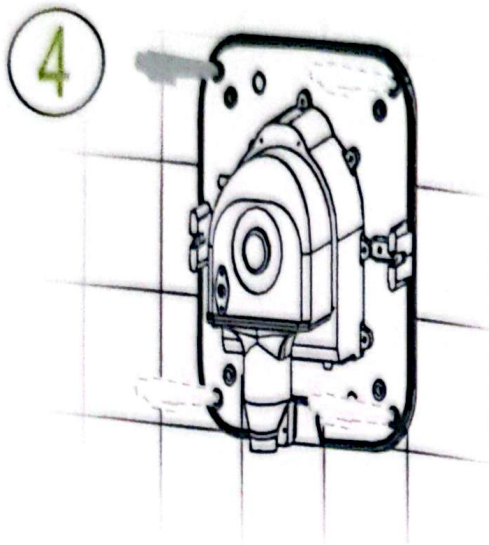
HARD WIRE

PLUG-IN



HAND DRYER

INSTALLATION INSTRUCTIONS



Hold up the dryer's Wall Plate to the wall at the selected installation location. Using the Wall Plate as a template, mark 4 mounting screw hole points (using a pencil or marker) out of the available 6 holes. Remove the Wall Plate. Using the appropriate tools, pre-drill the holes that you have marked using the following table as a guide:

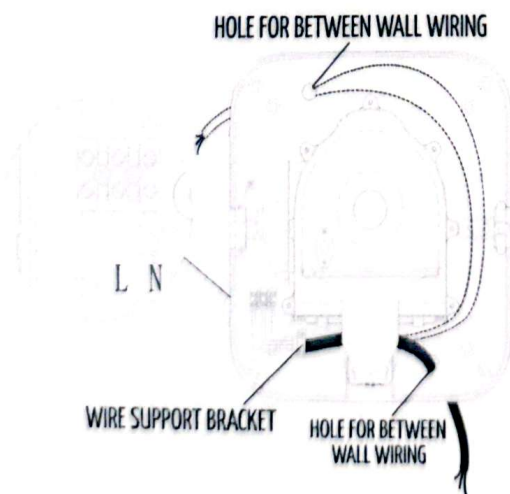
WALL TYPE	SCREW	QUANTITY
Wood	ST4.8x32 (mm)	4-6
Cement	ST4.8x32 (mm)	4-6
Brick	ST4.8x32 (mm)	4-6

WARNING ⚠️ TEST FOR ELECTRICAL INACTIVITY PRIOR TO CONNECTING. POWER MUST BE TURNED OFF.

5 Determine Installation Type:

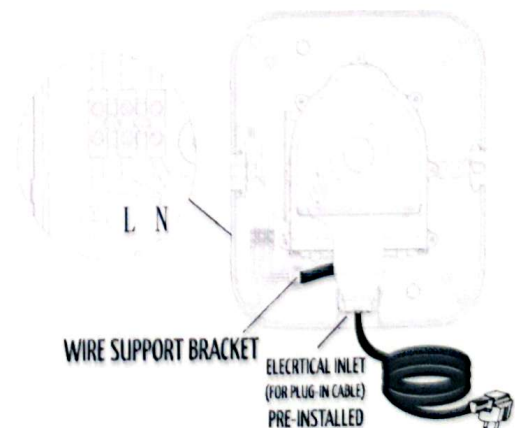
HARDWIRE INSTALLATION

Connect Hand Dryer to the power source using the designated holes as pictured below. Connect **AC110V-130V** (50Hz/60Hz). Make sure that Hand Dryer is properly connected to a ground wire.



OR PLUG-IN INSTALLATION

Plug Hand Dryer into the nearest protected outlet. Make sure that the outlet is grounded wired and is out of reach of water.

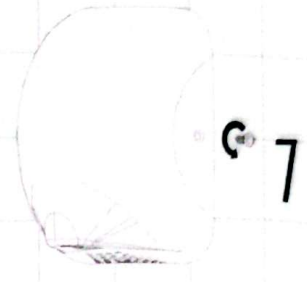
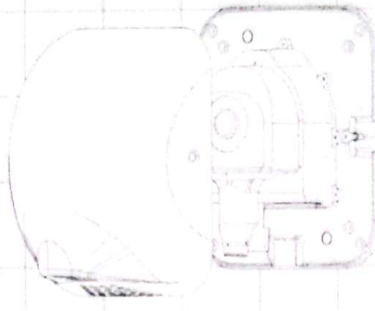
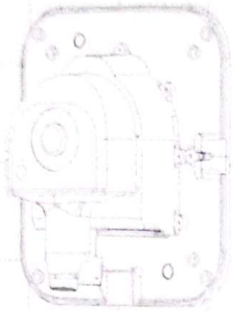


HAND DRYER

INSTALLATION INSTRUCTIONS / HOW TO USE

Fasten the Wall Plate to the wall using the designated pre-drilled holes.

Reattach Hand Dryer's Cover and secure it with the 2 Hex Screws using the Security Hex Key Tool. Turn the Hex Screws clockwise to tighten.



After the cover is secured, the power may be turned back on. Begin testing

Congratulations! You are now ready to use Hand Dryer.

HOW TO USE

1

Put your hands 10-15cm below the air outlet to activate the automatic ON/OFF sensor. Hand Dryer will turn on and warm air will blow out.



2

Remove your hands from underneath the air outlet and Hand Dryer will stop automatically.



NOTE: There is a 50-seconds auto shut-off

MAINTENANCE



**STOP READ ALL INSTRUCTIONS AND WARNINGS PRIOR TO SERVICING.
REFER TO IMPORTANT SAFETY INSTRUCTIONS ON PAGE 5.**



FAILURE TO FOLLOW THE INSTRUCTIONS IN THIS MANUAL MAY CAUSE SERIOUS INJURY OR DEATH FROM ELECTRICAL SHOCK.

OUTSIDE

- Hand Dryer's exterior cover should be cleaned with a damp cloth to remove dust or dirt from the surface.
- DO NOT use solvents or chemicals to clean it as they may damage Hand Dryer's cover permanently.

INSIDE



DO NOT USE WATER TO CLEAN THE INSIDE.

- Hand Dryer should be cleaned inside at least every 6 months. For more dusty areas, more frequent cleanings are required.
- Cleaning inside of Hand Dryer should be done by qualified service personnel.

TO CLEAN:

1. Disconnect all power sources. DO NOT attempt to service Hand Dryer while the power is on.
2. Carefully remove the Cover using the Security Hex Key Tool that was originally supplied. Turn the Hex Screws counter-clockwise to loosen.
3. Using a soft brush or vacuum cleaner, clean out any dust that has built up around the Air Intake and Outer Grill.
4. Remove the Filter and clean it as well.
5. When finished, reattach Hand Dryer's Cover and secure it with the 2 Hex Screws using the Security Hex Key Tool. Turn the Hex Screws clockwise to tighten.
6. Test the Hand Dryer. (Refer to the "HOW TO USE" section on page 7 of this manual)

TROUBLESHOOTING GUIDE



READ ALL INSTRUCTIONS AND WARNINGS PRIOR TO SERVICING.
REFER TO IMPORTANT SAFETY INSTRUCTIONS ON PAGES.



FAILURE TO FOLLOW THE INSTRUCTIONS IN THIS MANUAL MAY
CAUSE SERIOUS INJURY OR DEATH FROM ELECTRICAL SHOCK.



IF HAND DRYER DOES NOT TURN ON:

- Check if the power supply is connected and grounded properly; ensure correct voltage.
- Hand Dryer may be installed too close to a sink or other reflective surface. Turn off the power for about 10-15 seconds, then turn it back on.
- Clean the sensor or replace it if necessary.
- The control board connecting line may be loose-check, and replace if necessary.
- The motor may be damaged-check and replace the motor if necessary.



IF HAND DRYER TURNS ON BY ITSELF:

- Hand Dryer may be installed too close to a sink or other reflective surface.
- Hand Dryer might be installed in direct sunlight which may trigger the sensor.
- Check for the control circuit board wiring not to be loose or damaged. Replace if necessary.
- Clean the sensor, replace if necessary.



IF HAND DRYER HAS HEAT BUT NO AIR BLOWING OUT:

- The motor may be damaged-check, and replace the motor if necessary.
- The control board connecting line may be loose check, and replace if necessary.



IF HAND DRYER CONTINUOUSLY WORKS AND WON'T STOP:

- Hand Dryer may be installed too close to a sink or other reflective surface. Turn off the power for about 10-15 seconds, then turn it back on.
- Clean the sensor, replace if necessary.



IF HAND DRYER HAS ONLY COLD AIR BLOWING OUT:

- Check for loose connections to heating element, heating element may be damaged-check, and replace if necessary.
- The control board connecting line may be loose-check, and replace if necessary.



IF HAND DRYER HAS LOSS OF AIR SPEED:

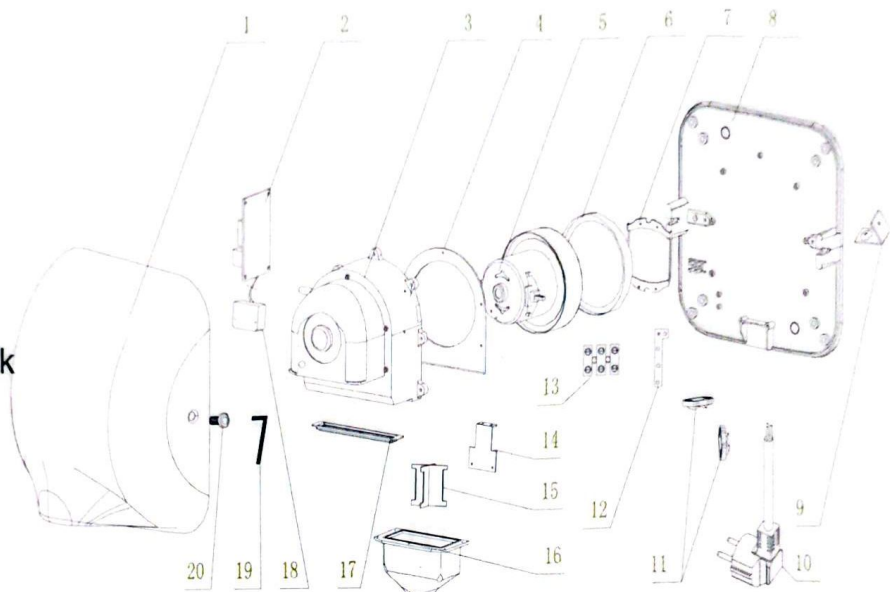
- Check the filter, clean it if necessary. Refer to the Maintenance Section for instructions.
- The motor may be damaged-check, and replace the motor if necessary.
- Check for a burning smell, if so replace the motor.

HAND DRYER

HAND DRYER

CONSTRUCTION DIAGRAM

- 1 Cover
- 2 Control board
- 3 Motor housing
- 4 Motor stop block
- 5 Motor
- 6 Motor shock-proof pad
- 7 Motor bracket
- 8 Wall plate
- 9 Cover bracket
- 10 Male cord end
- 11 Power line pressing block
- 12 Ground wire connector
- 13 Terminal connection
- 14 Heating element
- 15 Air outlet
- 16 Filter
- 17 Sensor
- 18 Security hex key tool
- 19 Hex screw



WIRING DIAGRAM

Switch up on 1 position, heating closed

Switch on 2 position, heating turn to temperature control system

Switch down on 3 position, heating open

